

ATTENTION: Mack Keay

Ship To:
 Ocean Trailer
 9076 River Rd
 Delta, British Columbia V4G 1B5

Phone:
 604-940-0210
 FAX:

Customer Info

Bill to:
 C. Keay Investments
 9076 River Road
 Delta, British Columbia V4G 1B6

Reference No: **233182NTU**

Customer Unit/Stock:
 Phone:
 604-920-0210
 FAX:

PO#
Quote Date
Order Date
Order Status

03/02/2022
 Quote

Sales Person

Nathan Uphus

Appx Completion
Other Charge
Product ID
Serial No

81 (weeks)
 FT-80-3 OTR-H Semi - Commercial

Shipping Notes: Quoted as FOB Sauk Centre, MN (no freight included)

Notes: 41' max wheel base, 35% of wheel base rear overhang, Canada Legal, includes 5 year warranty on wheel seal package

Drawing No: OVL Length: 53
 Copy No: Appx Wgt +/-: 16,500 lbs
 Part No:
 MRP No:
 Smart No: 03753

PO#90536

Item Type	Options	Description	Add Qty	Unit	Total Qty
Base Trailer		FT-80-3 OTR-H		Each	0
Load Capacity		80,000 lbs Distributed, 52,000 lbs in 10 ft, 50,000 lbs in 4 ft		Std	1
Upper Deck		90° Neck		Feet	10
Deck Length	✓	Deduct Deck Length	-1	Feet	37
Frame Type		Pierced 4" (80K) Jr I-Beam Crossmembers, 12" on Center		Std	1
Frame Type		Wheel Boxes		Std	3
Frame Type	✓	**Custom**- (4) additional pair of side rail supports		Opt	4
Beavertail	✓	Self Cleaning 3" x 2" Steel Angle Iron Beavertail		Feet	5
Deck Type		Apitong, 1 1/8"		Std	1
Ramps, Rear	✓	5' x 20" Self Cleaning 3" X 2" Angle Iron, Spring Assisted		Pair	1
Ramps, Acc	✓	4" X 4" Timber Pockets on Inside of Ramps		Pair	4
Ramps, Acc	✓	2-Way Spring Assist		Opt	1
Ramps, Acc	✓	6' x 14" Slide in Aluminum Ramps, stored under upper deck Do not exceed 10K per axle		Pair	1
Ramps, Acc	✓	Double X bracing on the bottom of the ramps to drive over		Opt	1
Ramps, Acc	✓	**Custom**- Fully enclosed upper deck ramps trays		Opt	1
Appx Deck Height		59" Upper Deck, 41" Main Deck, Loaded		Inches	1
Width	✓	9' Wide OD, 8.5' Tread Width	-1	Feet	52
Tie Downs		Rub Rail & Stake Pockets with Double Pipe Spools		Std	1
Tie Downs	✓	3 Bar Low Profile Winches (weld on) with J-Hook across from Winch Staggered		Each	24
Tie Downs	✓	Stake Pockets (2) additional pair on each side behind the drop, total of 3 in a row 2" apart		Each	4
Tie Downs	✓	Tarp Hooks, under mount where possible Weld Appx 2' apart, 4 on each end		Each	60
Brakes		Air, ABS 2S/1M, Meritor WABCO (Parking brakes on all axles)		Std	1
Brakes, Acc	✓	Steel Brake Dust Shields - 22.5"		Axle	3

Item Type	Options	Description	Add Qty	Unit	Total Qty
Brakes, Acc	✓	S-Cam Shaft Enclosures, Big Brake		Axle	3
Axles		25K Oil Bath		Std	3
Axles, Acc	✓	SPIF-RTAC Width (Canada Legal) Small Brake		Axle	3
Axles, Acc	✓	25K Hendrickson ILO Standard Meritor		Axle	3
Axles, Acc	✓	**Custom**- 5 year Seal and Bearing package (HXL5)		Axle	3
Suspension	✓	60" Spread, Hendrickson ILO Ridewell 260		Axle	3
Suspension	✓	Weather Proof Polyurethane Box for air controls and includes pressure gauge		Opt	1
Tires & Wheels		255/70R 22.5 H, 10 Bolt [22.5 x 8.25] Hub Pilot		Std	12
Hitch Type		Semi King Pin [S] with 18" Setback, 48" Height		Std	1
Jack		200,000# Twin 2 Speed, Holland Mark V (62,500 lb Lift Capacity)		Std	1
Plug		7 Pole Semi Socket		Std	1
Lights		LED Lights (Peterson), (3) lights per side Deck, (3) per side Tailboard, Sealed Wiring Harness (Sealco)		Std	1
Lights	✓	Amber LED Strobe Lights, Switched and Mounted in Tailboard, replaces 2 center tail lights		Opt	1
Lights	✓	Pull Out Wide Load Lights, extends 18" with 2.5" Amber forward, Red rearward lights (all four corners)		Opt	1
Lights	✓	Severe Condition Wiring Package - Closed Back Grommets, Metal Conduit to Side & Rear Lights and Enclosed Tail-lights & Tri-Lights		Opt	1
Trailer Color		Felling Black # CCA945378 (White Felling Decal)		Std	1
Stripe Color		White		Std	1
Standard		Ready for a 60" Chain Box on both sides, located behind dollies		Std	1
Standard		Document Holder		Std	1
GVWR		95,000 lbs		Std	1



MSO's are not released until Payment Received



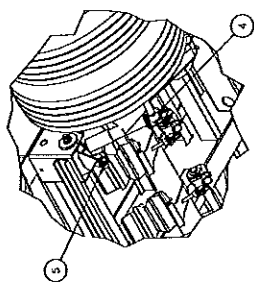
FOB IF NO FREIGHT charged

** FET Tax may apply on 26,000 lb GVWR and above **

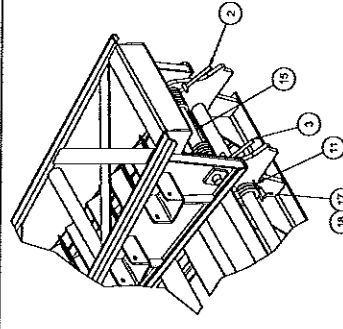
Please sign and date your acceptance of this quote:

****PRICING MAY BE SUBJECT TO MARKET ADJUSTMENT AT TIME OF INVOICE****

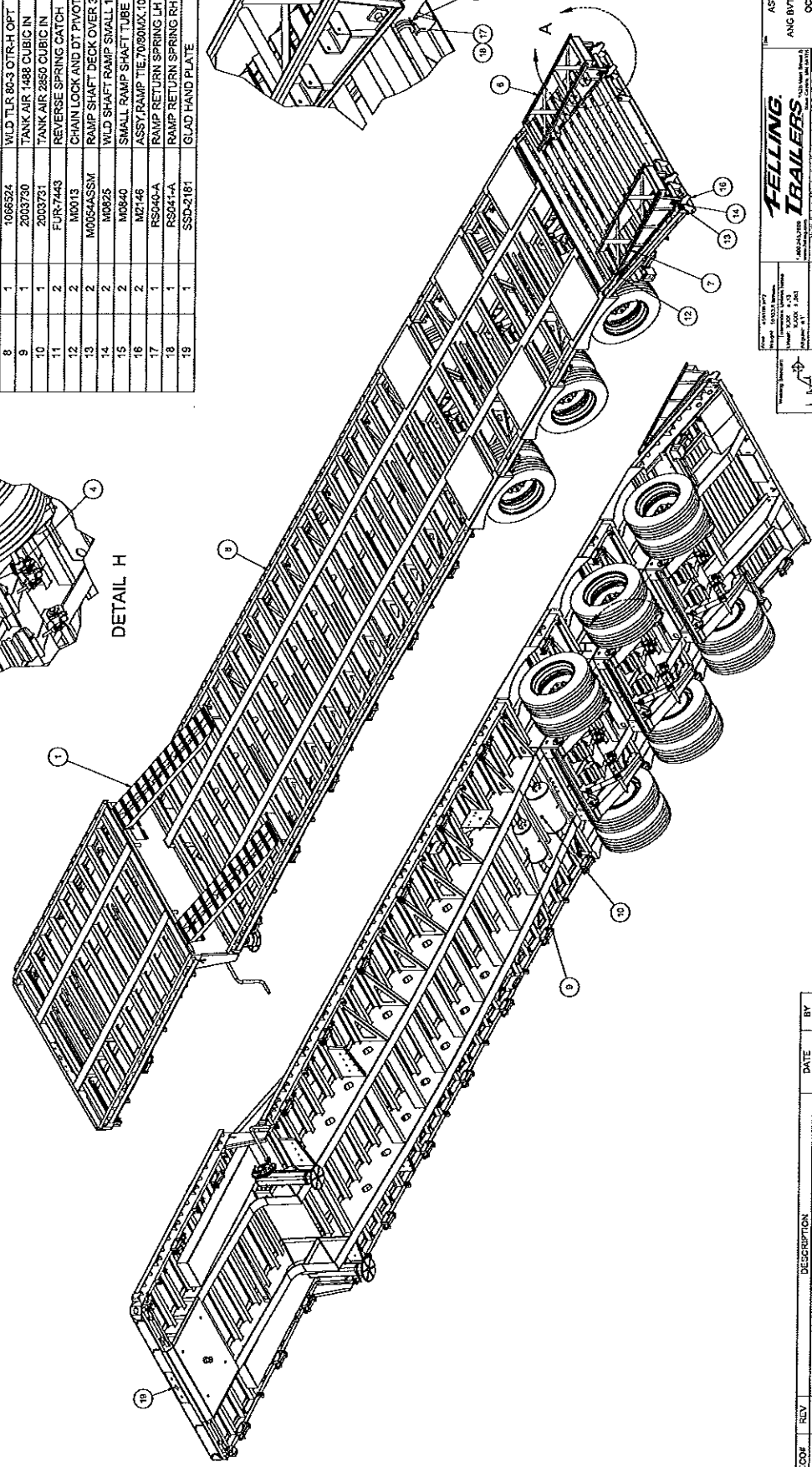
ITEM	QTY	PART NUMBER	TITLE
1	2	1000375	RAMP SOR ALUMINUM SEMI
2	2	1001888	SPRING LH .437 WIRE 1.8566 ID
3	2	1001889	SPRING RH .437 WIRE 1.8566 ID
4	6	1007145	KEEPER SHOCK STRAP 260 SERIES
5	1	1033277	ASY CONTROL HEIGHT KIT 260
6	1	1036359	WLD RAMP 5' X 20' ANG CS FLR
7	1	1058360	WLD RAMP 5' X 20' ANG RS FLR
8	1	1066324	WLD TLR 86-3 OTRH OPT
9	1	2003730	TANK AIR 1488 CUBIC IN
10	1	2003731	TANK AIR 2850 CUBIC IN
11	2	FLR-7443	REVERSE SPRING CATCH
12	2	M00113	CHAIN LOCK AND DT PIVOT PIN FLAG
13	2	M005A55M	RAMP SHAFT DECK OVER 32"
14	2	M0825	WLD SHAFT RAMP SMALL 18 LONG
15	2	M0840	SMALL RAMP SHAFT TUBE
16	2	M2746	ASSY RAMP TIE TUBES MAX 10' BUMPER
17	1	RS040-A	RAMP RETURN SPRING LH
18	1	RS041-A	RAMP RETURN SPRING RH
19	1	SSD-2181	GLAD HAND PLATE



DETAIL H



DETAIL A



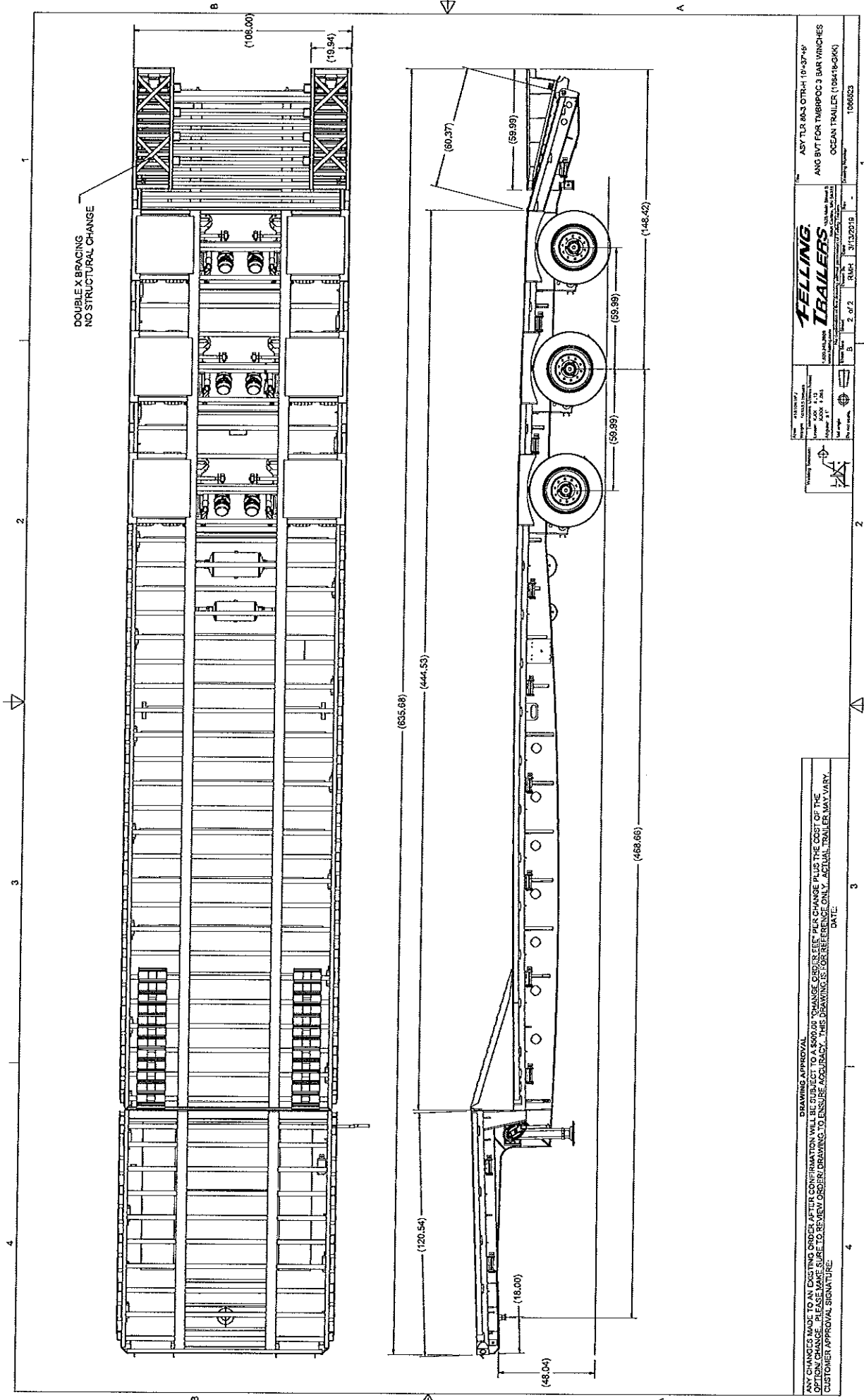
FELLING TRAILERS

ASSY TLR 86-3 OTRH 10'X37'X5'
ANG BVT FOR TMBPOG 3 BAR WINCHES
OCEAN TRAILER (06848-0685)

DATE: 3/13/19
BY: [Signature]

DESCRIPTION: [Blank]

1 of 2 RHM 31192116 106853



FELLING TRAILERS

AS T.J.R. RA3 OTRH 19-37-6
ANG BVT FOR TMBPOC3 BAR WACHES
OCEAN TRAILER (19479-5K4)

1086023

3/13/2018

2 of 2

RUH

3/13/2018

1086023

DRAWING APPROVAL

ANY CHANGES MADE TO AN EXISTING DESIGN OR SPECIFICATION WILL BE SUBJECT TO A \$500.00 "CHANGE ORDER" PER CHANGE PLUS THE COST OF THE OPTION CHANGE. PLEASE MAKE SURE TO REVIEW ORDER DRAWINGS TO ENSURE ACCURACY. THIS DRAWING IS FOR REFERENCE ONLY. ACTUAL TRAILER MAY VARY. CUSTOMER APPROVAL SIGNATURE: _____ DATE: _____