



Quote 25-Apr-22
 New Order 26-Apr-22
 FINAL 03-May-22

35-3ATWDP OT External Hoist, Level - POLISHED PANELS **Ref#** **New**

Revision

CUSTOMER APPLICATION

AGGREGATE - POLISHED PANELS

W/O# 6889

S.P.I.F. 1 - Single / Tandem / Tridem

DATE: 03-May-22

SINGLE SEMI-TRAILER

Designation

ORDER STATUS Final

CUSTOMER NAME	OT Stock - Gravel Spec - POLISHED PANELS	PO	91352-55	File	
ADDRESS		DRAWING#	AD-6889-01-V1		
CITY		CONTACT			
PROV/PC STATE/ZIP		DEALER	Ocean Trailer		
PHONE		SHIP VIA	FOB Delhi, ON		
FAX		SALESMAN	Mack Keay		

Is Vehicle Permitted? Yes or No

What is the combined Gross Vehicle Weight?

Qty = 4

(MAY CHANGE, MUST BE CONFIRMED AT TIME OF ORDER)

SERIAL NUMBER/S	pg 3	PRICING
BASE MODEL	35-3ATWDP OT External Hoist, Level - POLISHED PANELS	
OVERALL LENGTH	35'	OVERALL WIDTH 102" NOMINAL
FRONT HEIGHT	12" rise	TAILGATE HEIGHT TO SUIT SIDEWALLS
BOX LENGTH	34 FT 6 IN	
FRONT FRAME EXT	6"	
KING PIN LOCATION	24" from front of Trailer(Bolt-In)	
UPPER COUPLER	3/8" Thk Aluminum with Steel Overlay - Set at 48"	
HOIST	MAKE Hyva	Stroke FEE-8-5-269 Style External
SLIDER BOX/BOGIE	N/A	
	PRIMARY	LIFT or STEERS
NUMBER OF AXLES	3	
AXLES	Intraax Straight Spindle - Note 7	
AXLE TRACK	77"	
SUSPENSION	Intraax AAT30K	
LOCATION OF SPREADS	see axle layout	
HUB / DRUM ASSEMBLY	10 Stud Cast - Cast Drum	
DISC WHEEL SIZE	8.25 x 22.5	
RIMS	ALUM-LVL1-Inner/outer	
TIRES	Brand	Goodyear
	Size	11R22.5 - 41.9 dia
	Tread	Endurance RSA
	Ply	14
	Quantity	12
TAILGATE	Style	Sloped - 5 degree STD.
	Type	Dump Style
	Material	2 1/2" M.D. Panel
AXLE LAYOUT	FRONT -Prim-60-Prim-60-Prim-27-REAR	Sub(1)



CC

35-3ATWDP OT External Hoist, Level - POLISHED PANELS		Ref#	New	Pg.2	
CUSTOMER NAME: OT Stock - Gravel Spec - POLISHED PANELS					
TITAN SALES #		PO 91352-55 S/N		pg 3	W/O # 6889
			Note#	PRICING	
OIL SEALS		To suit axles			
LUBRICANTS		Oil-Std 80W-90			
BRAKES	ABS	2S2M			
	Slack Adj.	Haldex Auto			
	Cam Enclos	All Axles - c/w Dust Shields			
LIFT KITS		None			
LIFT CONTROLS		None			
FRAME WIDTH		48"			
BEAMS	Flange Bottom	3/4" x 6" (Aluminum I-Beam)			
	Flange Top	3/4" x 6" (Aluminum I-Beam)			
	Web	3/8" (Aluminum I-Beam)			
NECK Length	K.P. -Transiston	70" (Seventy)			
REAR BUMPER		None			
TIRE CARRIER		None			
LANDING GEAR		Jost Ax150.G1.19 Aluminum landing gear-5year maint free, 10 year warranty			
FENDERS		None			
EXTENDED NECK FENDERS		None			
SIDE MATERIAL/HEIGHT		NGHD Panel, 58" (50" Solid Inside, 8" Board)			
TOP RAIL		New Dump Style			
SIDE WEAR PLATE (Triangular)		None			
FLOOR		2 1/2" Panel			
FLOOR WEAR PLATE		None			
SEALED GATE		Rubber			
COAL CHUTE		1 Pc Middle 20"			
WINDERS		2 Bottom, No winder holders to be installed on rear door			
TAILGATE LATCHING		Air Operated			
HOIST		External			
TARP SECUREMENT		None			
BODY HOLD DOWN		Titan			
TARP SYSTEM		Electric Mesh front to back Cable system			
TOOL BOX		None			
HYD FITTING	Pressure	1" Wing- Male #5100-S2-16B			
	Return	N/A			
MUD FLAPS	Style	Titan Black Rubber			
	Location	1set ahead of primary and 1 pair Titan flaps with center plain black flap at rear			
MUD FLAPS - Landing Gear		4 mudflaps at landing gear			
PAINT (See Form)	Body- Color	POLISHED PANELS - Flat front style			
	Frame	Natural aluminum			
	Hub / Drum	Titan Black - DO NOT PAINT INTRAAX AXLES WITH GALVANIZED HANGERS			
	Rims or Disc	Aluminum			
LIGHT PACKAGE (Plug Form)		Front-(1) mkr per side high-(3) mkr (includes midturn)-rear (3) S/T/T per side (3) 4" Round center in lightbar			
ADDITIONAL LIGHTS' OPTION #1		Add 6 Markers per side = 9 total spaced evenly along the bottom			
ADDITIONAL LIGHTS' OPTION #2		None			
ACCESS	Front - Outside	None			
	Front - Inside	None			
	Rear - Outside	4 Titan cast steps, installed Roadside			
	Rear - Inside	1 step, installed Roadside just above the liner			
					Sub(2)

✓✗

CC

CUSTOMER NAME: OT Stock - Gravel Spec - POLISHED PANELS

TITAN SALES #

PO 91352-55 S/N

pg 3

W/O# 6889

ADDITIONAL SPECIFICATIONS

	Note#	PRICING
1) 4" liquid load Gauge on RS on the face of chassis web.		
2) Hinged cover plate over gooseneck		
3) Add an additional pair of 4" Round LED lights to make 5 - 4" round in center		
4) Trailer front end designed to work with Trison Electric front to back Mesh Cable Tarp system.		
5) Add spreader chains Ref 6615		
6) Trison installed UHMW 12' wide liner 24.5' - 3/8 THK, 10' - 1/2" THK.		
7) Intraax Primaries to be on Galvanized Hangers with black soft coat		
VIN #'s:		
2TVDP3532RD000031		
2TVDP3534RD000032		
2TVDP3536RD000033		
2TVDP3538RD000034		
Any applicable Taxes are the responsibility of the customer		

DATE:	03-May-22
SUBMITTED BY	
Customer	
	Mack Keay
	5/2/22
	Date

Sub Total (3)	
Sub Total (2)	
Sub Total (1)	
TOTAL PRICE PER UNIT	
TOTAL COST	
	CDN\$

Trailers are sold FOB Delhi, Canada	Sk 4/26/2022
-------------------------------------	--------------

✓✗

CC

TITAN TRAILERS

PAINT COLOUR & CODE FORM

CUSTOMER	OT Stock - Gravel Spec - POLISHED PANELS	TITAN WORK ORDER #	6889
DEALER	Ocean Trailer	DEALER WORK ORDER #	
TRAILER TYPE	35-3ATWDP OT External Hoist, Level - POLISHED PANELS		
		PURCHASE ORDER #	91352-55
		UNITS IF APPLICABLE	4

	PAINT COLOUR	PRODUCT NAME	PAINT CODE
Body	POLISHED PANELS	None	None
Frame	Natural aluminum	None	None
Running Gear	See Below	See Below	None

Paint colours are Titan Red, Black or Silver please enter Titan under product name & no code is required.

RUNNING GEAR: TITAN BLACK

*****DO NOT PAINT INTRAAX AXLES WITH GALVANIZED HANGERS, THEY HAVE ALREADY BEEN COATED BY HENDRICKSON WITH A BLACK SOFT COAT**

***IF Fully Painted, Thinwall trailers will be painted underneath same as frame & running gear*
& axles will not be painted prior to going to paint.**

All Thinwall Trailers that have Body left Natural will receive silver air tanks & silver upper couplers

Dealer or Customer must supply Titan Trailers with required paint codes, product name, colour and a DRY sample of paint. All Two Toned Painted Trailers must have additional detailed written specifications entered above.

Paint Chip Required

NO

Complete Form in Full

Dealer Signature

Mack Keay

Date

5/2/22

Paint Information needed by this date

Failure to meet this date will delay trailer completion

TITAN TRAILERS WILL NOT BE RESPONSIBLE FOR INCORRECT PAINT SPECIFICATIONS

Office Use Only

Trailer Sales Department

Date

Signature

CC

3-May-22

TITAN TRAILERS - TRAILER WIRING SCHEMATICS

Wiring Specs

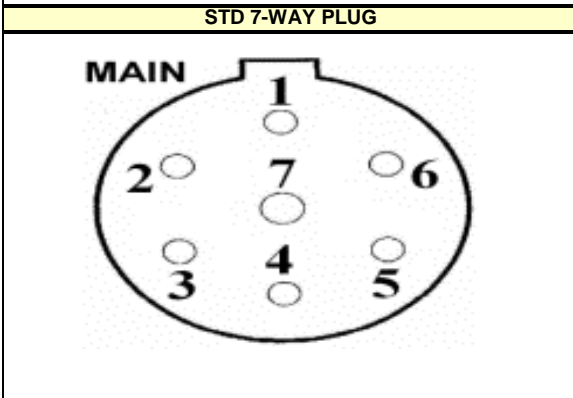
1129 Hwy #3, R.R. #3
Delhi, Ontario
Canada, N4B 2W6

Phone: 519-688-4826
Fax: 519-688-3083
www.titantrailers.com

35-3ATWDP OT External Hoist, Level - POLISHED PANELS

Work Order	6889
P.O. #	91352-55
Quantity	4

Customer	OT Stock - Gravel Spec - POLISHED PANELS
Dealer	Ocean Trailer
Dealer #	



#	COLOUR	FUNCTION
1	WHITE	Ground
2	BLACK	Front/Rear CLS, I.D., Licence
3	YELLOW	Left Turn, Hazzard
4	RED	Stop Lamps
5	GREEN	Right Turn, Hazzard
6	BROWN	Side Markers, Tail Lights
7	BLUE	A.B.S. Power

#	COLOUR	FUNCTION
1	WHITE	
2	BLACK	
3	YELLOW	
4	RED	
5	GREEN	
6	BROWN	
7	BLUE	

STANDARD 7-WAY PLUG

I.S.O. 7-WAY PLUG

Plug Information needed no later that the following date:

Failure to meet this date will delay trailer completion.

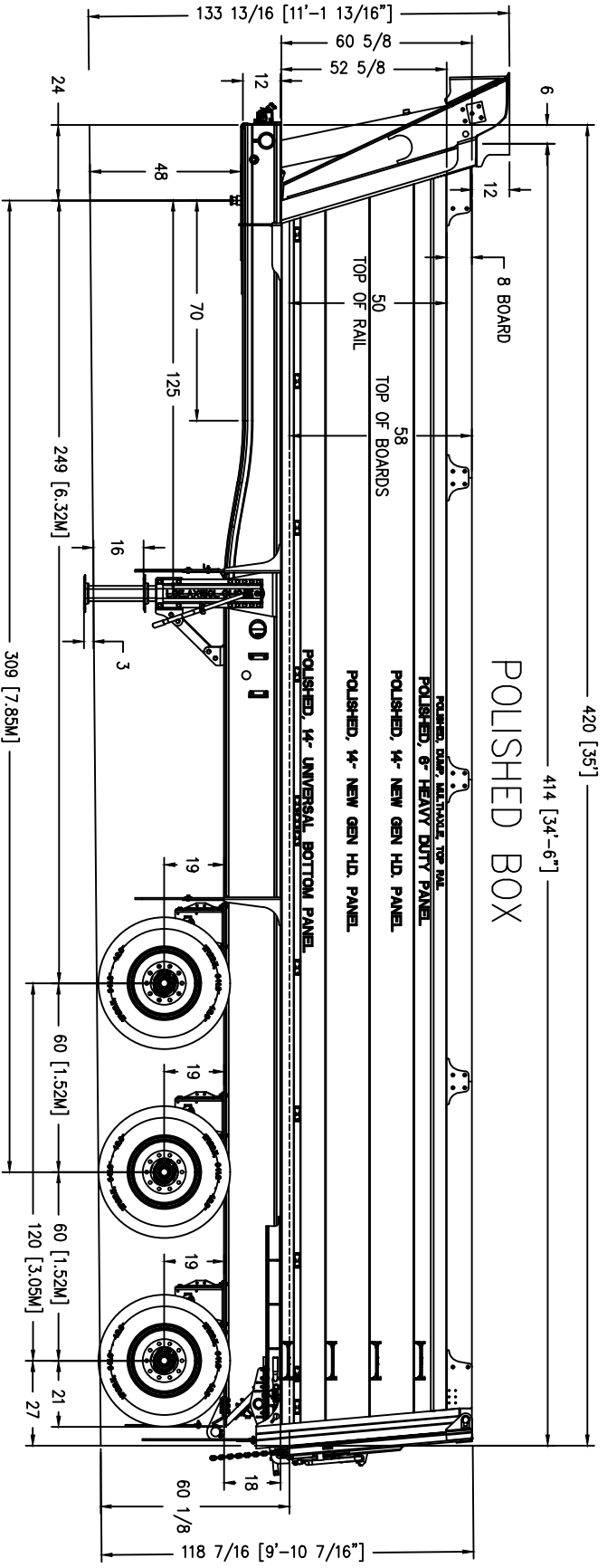
Dealer

Signature: Mack Keay **Date:** 5/2/22

Date form returned: 5/2/22 **Trailer Sales Initials:** CC

CONFIGURATION APPROVAL DRAWING

THIS DRAWING CONFIRMS BASIC TRAILER DIMENSIONS; OVERALL HEIGHT, OVERALL LENGTH, PIN SETTING AND AXLE POSITIONS ONLY.
TRAILER OPTIONS MUST BE VERIFIED BY REFERRING TO THE SALES ORDER. ANY DISCREPANCIES MUST BE REPORTED TO TITAN TRAILERS INC.



HYVA CYLINDER, FEE-8-5-269, 40 TON, 269" STROKE - 40° TIP ANGLE
 SUSPENSIONS: HENDRICKSON INTRAAX AAT30K
 TIRES: 11R22.5
 LANDING GEAR: JOST AXI50-G1-19 Aluminum Landing Gear
 VOLUME: 1327 cu ft (49.2 cu yd)



CUSTOMER: OT Stock
 TRAILER: 35' 3-AXLE THINWALL DUMP ALUMINUM CHASSIS, EXTERNAL HOIST AGGREGATE APPLICATION

APPROVED BY: _____ DATE: _____
 SIGNATURE: _____
 INTRAAX AAT30K-19 TRIDEM
 NO NO: 6889
 DEALER NO: _____

DEALER IS RESPONSIBLE TO CHECK THAT TRAILER CONFIGURATION SHOWN ON THIS DRAWING CONFORMS TO ALL PROVINCIAL, STATE AND/OR FEDERAL REGULATIONS. THIS DRAWING IS THE SOLE PROPERTY OF TITAN TRAILERS. ANY REPRODUCTION IN WHOLE OR PART IS STRICTLY PROHIBITED WITHOUT OUR WRITTEN CONSENT.

DRAWN BY: BB1 SCALE: 3/8 DATE: 26-OCT-22 DRWG: AD-6889-01-V2 VERSION NO: 01