



OCEAN TRAILER
 9076 RIVER RD
 DELTA BC, AB V4G 1B5
 Phone: (604) 952-2373
 Website: WWW.OCEANTRAILER.COM

This offer is valid until the printed expiration date, and is subject to change at MAC Trailer discretion based on market conditions.

MLP-8			Quote ID # 74701		JOB #	Rev 5	
Customer	PANJAAB					Cubic Yards	0
Dealer Name	OCEAN TRAILER					Weight	10376 lbs. ***
Quote Date	8/4/22	Quote Expires	9/10/22	Oty	7		
Dealer Salesman	TYLER VRBAS		Model Code	FP	Plant of Mfg	H	
Cust P.O. #	91936-91942		Cust Unit #				

BODY

FRAME RAIL MODEL	HEAVY DUTY 27 IN. (72K)
FRAME RAIL ARCH MODEL	3 1/2 IN.
LOAD PROFILE	MATERIAL, 80K GVWR
LENGTH	53
WIDTH	102
NECK STYLE	SQUARE FRONT, 8 IN. NECK, 102 WIDE
CROSSMEMBER SPACING	16 IN. ON CENTER
SPOOLS AND POCKETS	DOUBLE SPOOLS W/ POCKETS
NAILERS	2 NAILERS ON OUTSIDE
NO. OF STUB CROSSMEMBERS (COIL)	COIL PACKAGE / SIX STUBS
(1) FULL WIDTH CROSSMEMBER AT REAR (R EAR LOADING)	YES
SIDE RAIL WINCH TRACK	STD W/ BOLT ON LL TRACK B.S. BAR B.S.
REAR END STYLE	REAR SMOOTH (FULL WIDTH BUMPER)
REAR STEPS	GRIP STRUT STEP
EXTREME DUTY BUMPER REINFORCEMENTS	NO
DOCK BUMPERS	(2) 8 IN. INSIDE - (2) 16 IN. OUTSIDE (4 TOTAL)

LIGHTS

LIGHT TYPE	GROTE L.E.D. W/ GROMMET
LIGHT PANEL	4 LARGE - 3 LARGE - 4 LARGE 0000 000 0000
STD. MARKER LIGHTS	3 EACH SIDE
FRONT CORNER MARKER LIGHTS TO BE PENNY LIGHTS - LOCATED IN SIDE RAIL AND ON FRONT CORNERS (4) TOTAL	
MARKER LIGHT LOCATION	LOWERED (3-9)
MID-TURNS	(1) PAIR OPEN
MOVE MID TURN LIGHT DOWN 10" FROM STANDARD LOCATION	

PRIMARY AXLES

MODEL	TANDEM
NO. OF PRIMARY AXLES	2
SUSPENSION	HEND. INTRAAX AANL 23K (250 BAGS) TP W/HXL-5
NO. OF LIFT KITS	0
SUSPENSION SLIDER	SINGLE AXLE REAR SLIDER
CANADA AND CALIFORNIA LEGAL	
AXLE SPACING	122
AXLE SETTING	NOTE ALL AXLE SETTINGS
AXLES	AXLE FOR INTRAAX ONLY
BRAKES	7 IN. XL, W/ 30-30 CHAMBERS
CAM GUARDS	HEND. INTRAAX

HUB AND DRUM	CAST W/ STEEL HUB HP 10 STUD TP, LS, 7 IN.
BRAKE STROKE INDICATORS	NO
TIRES	MICHELIN XZE-2 11R 22.5 16 PLY
WHEELS	ALUMINUM HP 22.5X8.25 - ALL POLISHED (XP)
PRIMARY AXLE TIRE INFLATION SYSTEM	HENDRICKSON SYSTEM (TIREMAAX PRO)

CHASSIS

FRAME RAILS	MOVED TO BODY
FRAME RAIL ARCH	MOVED TO BODY
PIN SETTING	30
5TH WHEEL PLATE	5/16 IN. GR-50, 3/8 KP
	GALVANIZED FIFTH WHEEL
5TH WHEEL PLATE HEIGHT	47 IN. HIGH
DECK HEIGHT	SEE DRAWING
SUSPENSION CONTROL	BALL VALVE (FULL SUSPENSION DUMP)
GLADHAND / ELECTRIC CONNECTION LOCATION	FRONT ONLY
ABS FOR TRAILER	(1) 4S2M MERITOR / WABCO
SLACKS	AUTOMATIC
AXLE LUBRICATION	HXL, SYNTHETIC SEMI-FLUID GREASE
DUST COVERS	YES
DOLLIES - LANDING GEAR - LANDING LEGS	JOST AX-150 - (55,000 lb.) - 10 YEAR ALUMINUM - D.S.
REGISTRATION HOLDER	BETTS PS-1 W/ SIGHT GLASS (ROUND HOLDER)
REGISTRATION HOLDER LOCATION	DRIVERS SIDE NEAR LANDING GEAR
AIR GAUGE / SYSTEM	YES, IN ENCLOSURE - MUST SELECT ENCLOSURE
ENCLOSURE FOR SWITCHES	ALUMINUM MILL FINISH W/ STAINLESS HINGE
AIR TANKS	ALUMINUM TANK
AIR TANK DRAIN COCK WITH CABLE PULL TO D.S.	NO
ADDITIONAL FLAPS	REAR OF REAR AXLE (1 SET)

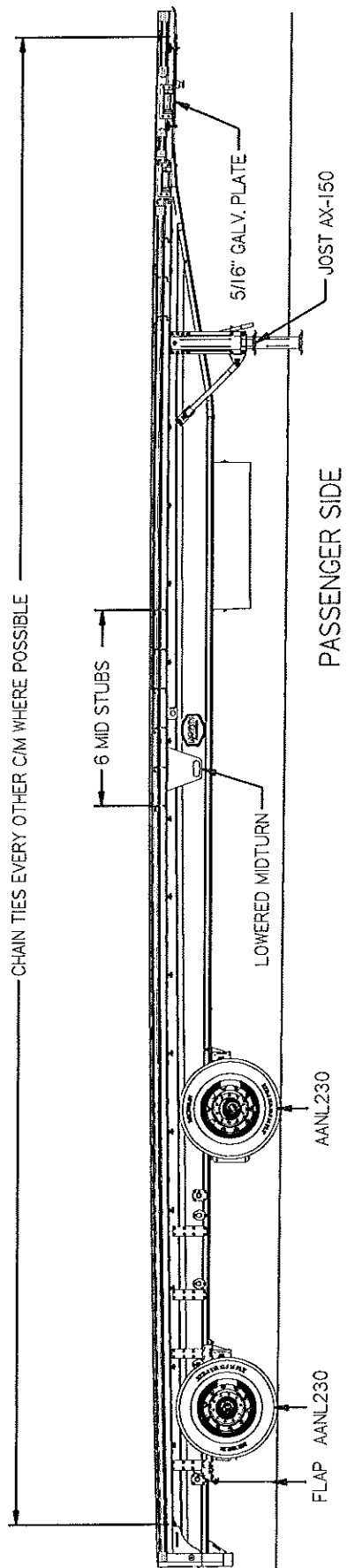
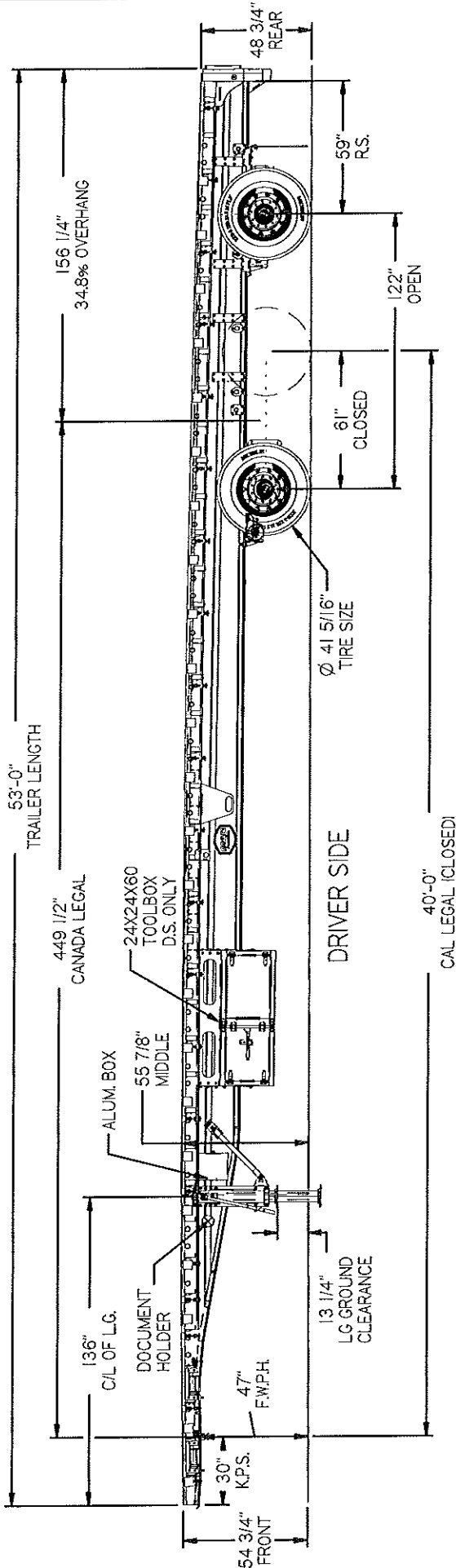
TARP

PAINT

HANGERS	BLACK SOFT COAT
SUSPENSION COLOR	BLACK SOFT COAT
PIN STRIPING	BLACK (931716)
LANDING GEAR COLOR	BLACK (930248)
MAC MACHINE FINISH LOGOS	BLACK (931716)

ACCESSORIES

NO. OF TOOLBOXES	1
TOOL BOX SIZE	24X24X60 DOUBLE DOOR
TOOL BOX DOOR TYPE	ALUMINUM
TOOL BOX HARDWARE	CAM LOCKS
TOOL BOX LOCATION	BEHIND LANDING GEAR D/S
CHAIN TIE DOWNS BETWEEN EVERY OTHER CROSSMEMBERS	YES (BETWEEN EVERY OTHER C/M) (NOTE REQUIRED)
NO. OF GALVANIZED 3 BAR RECESSED WINCHES	4
	REF 63130
NO. OF GALVANIZED 3 BAR SLIDING WINCHES	20



THIS DRAWING IS THE PROPERTY OF MAC MANUFACTURING INC.
 AND SUBJECT TO RECALL AT ANY TIME.
 DUPLICATION OR DISTRIBUTION WITHOUT PERMISSION IS
 PROHIBITED.

UNLESS OTHERWISE SPECIFIED DIMENSIONS ARE IN INCHES
 ANGLES ±2° FRACTIONS ±1/16" DECIMALS ±0.02

DRAWN: PEM
 DATE: 1/18/2023
 REVISION: 1

MAC MANUFACTURING INC.

MLP 8, 53', FLATBED
 30" PIN, TANDEM, REAR SLIDER

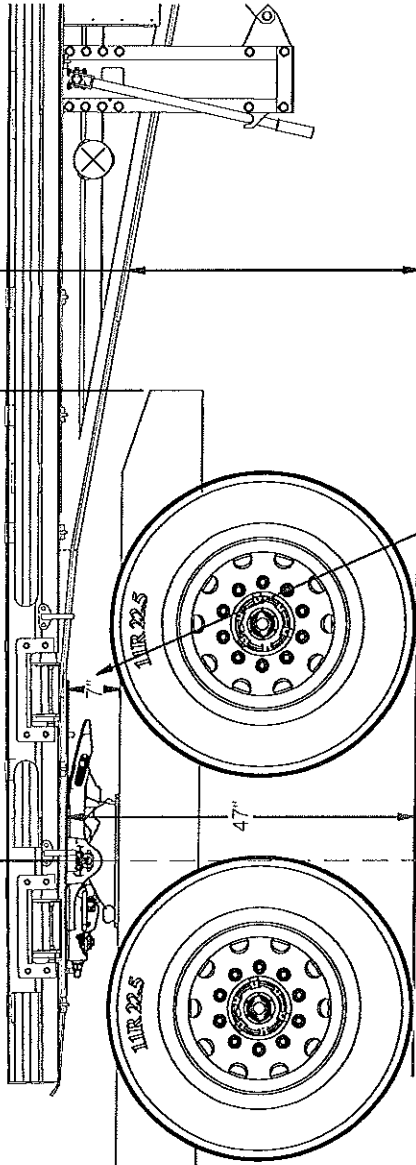
PAGE 2 OF 9 UNIT NUMBER: 76906-76912

REV.	DATE	RELEASED TO PRODUCTION	REASON FOR CHANGE	ECN #	BY
1	1/18/2023	N/A			PEM

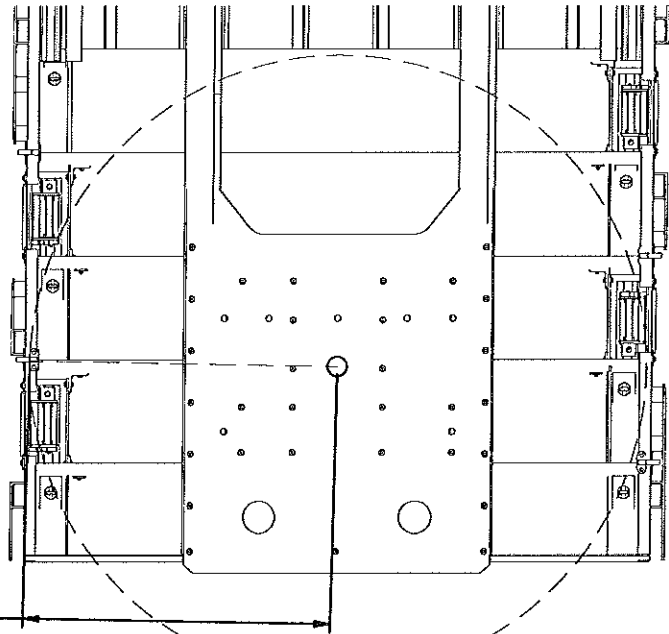
39 1/4"
MAX CLEARANCE
FOR TRACTOR

80"
SWING

TO THE END OF THE CHASSIS



48 1/16"
MAX CLEARANCE
FOR CARGO HOOKS



TRACTOR CLEARANCE TO BE MAINTAINED.
LEVEL GROUND, UNLADEN

IF CLEARANCE CANNOT BE MAINTAINED,
MAC MUST BE CONTACTED PRIOR TO PRODUCTION.

THIS DRAWING IS THE PROPERTY OF MAC MANUFACTURING INC.
AND SUBJECT TO RECALL AT ANY TIME.
DUPLICATION OR DISTRIBUTION WITHOUT PERMISSION IS
PROHIBITED.

UNLESS OTHERWISE SPECIFIED DIMENSIONS ARE IN INCHES
ANGLES ±2° FRACTIONS ±1/16 DECIMALS ±0.02

DRAWN: PEM

DATE: 1/18/2023

REVISION: 1

MAC MANUFACTURING INC.

MLP 8, 53; FLATBED
30" PIN, TANDEM, REAR SLIDER

PAGE 3 OF 9 UNIT NUMBER: 76906-76912

1 1/18/2023

RELEASED TO PRODUCTION

DATE

N/A

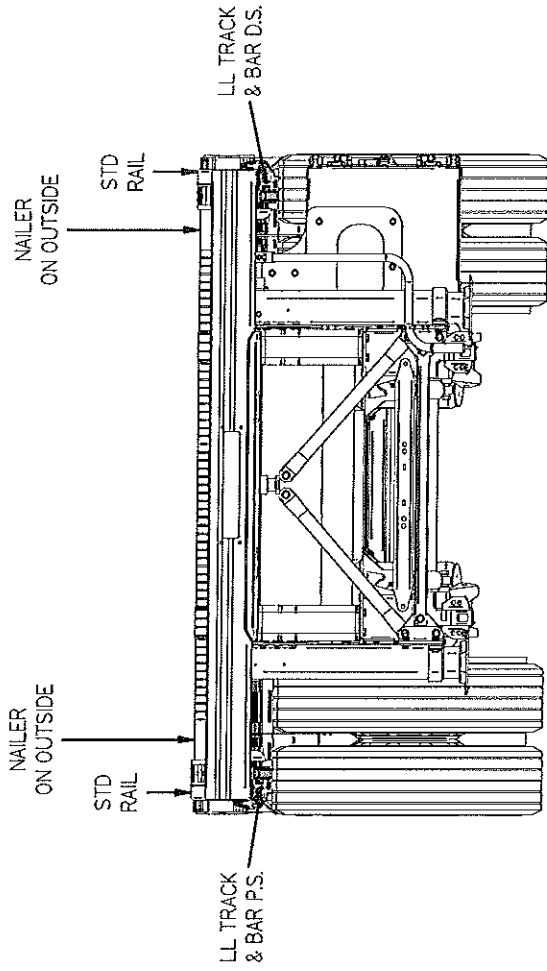
REASON FOR CHANGE

DATE

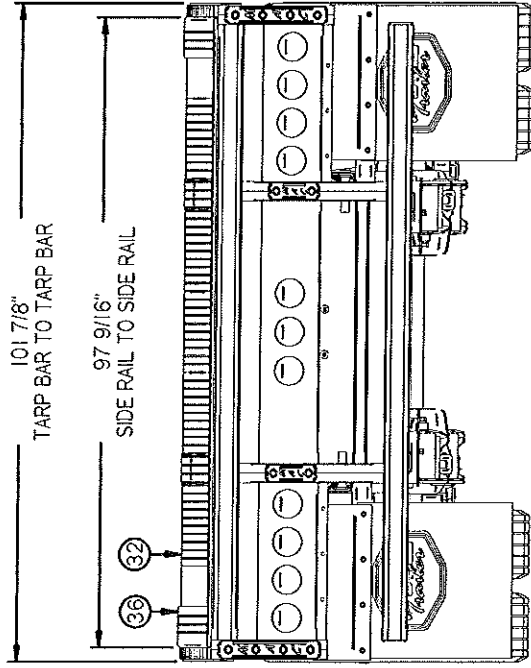
PEM

ECN #

BY



FRONT



REAR

THIS DRAWING IS THE PROPERTY OF MAC MANUFACTURING INC. AND SUBJECT TO RECALL AT ANY TIME. DUPLICATION OR DISTRIBUTION WITHOUT PERMISSION IS PROHIBITED.

UNLESS OTHERWISE SPECIFIED DIMENSIONS ARE IN INCHES ANGLES ±2° FRACTIONS ±1/16 DECIMALS ±0.02

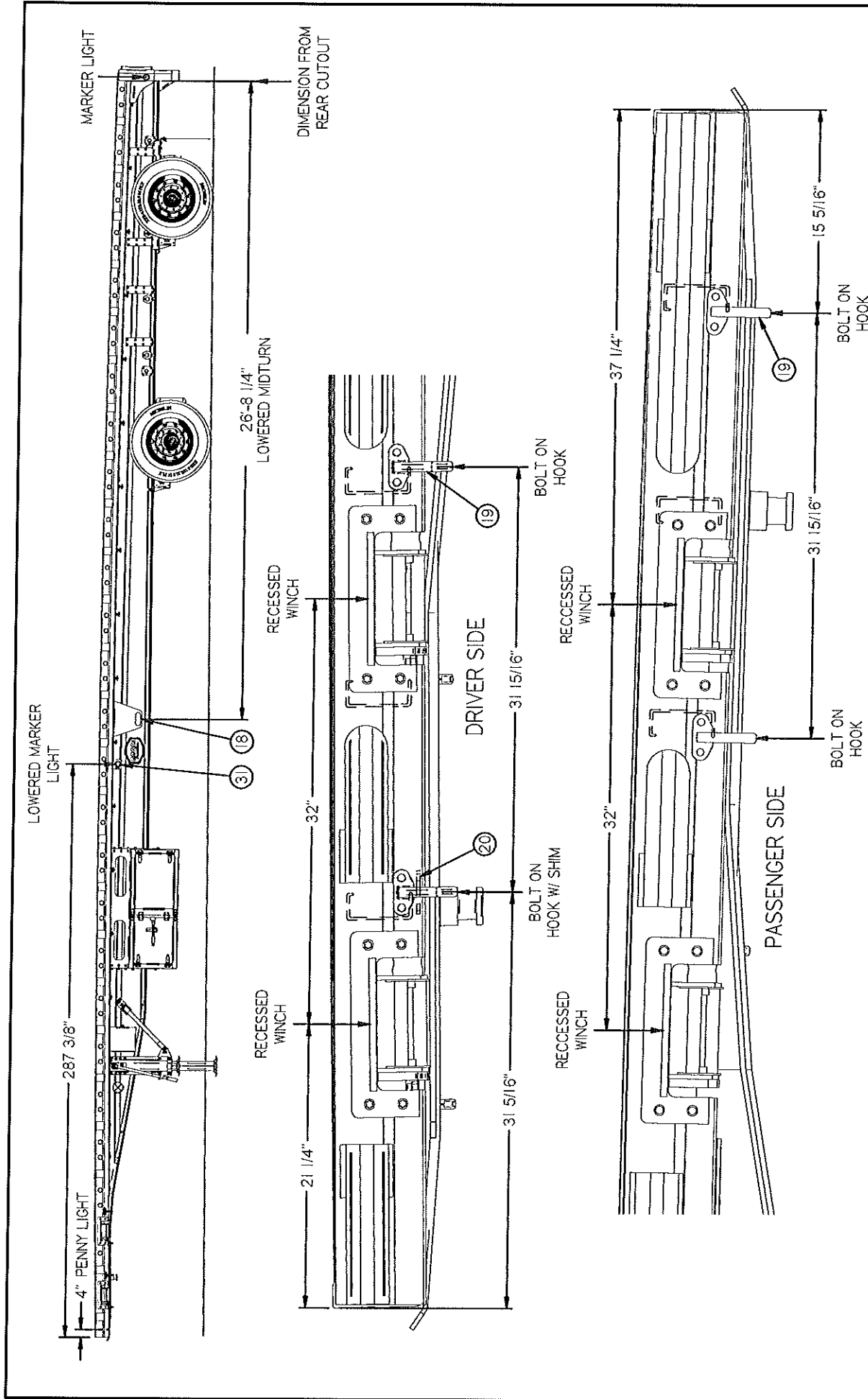
DRAWN: PEM DATE: 1/18/2023 REVISION: 1

MAC MANUFACTURING INC.

MLP 8, 53', FLATBED
30" PIN, TANDEM, REAR SLIDER

PAGE 4 OF 9 UNIT NUMBER: 76906-76912

REV.	DATE	RELEASED TO PRODUCTION	REASON FOR CHANGE	ECN #	PEM	BY
1	1/18/2023			N/A	PEM	



THIS DRAWING IS THE PROPERTY OF MAC MANUFACTURING INC. AND SUBJECT TO RECALL AT ANY TIME. DUPLICATION OR DISTRIBUTION WITHOUT PERMISSION IS PROHIBITED.

UNLESS OTHERWISE SPECIFIED DIMENSIONS ARE IN INCHES ANGLES ±2° FRACTIONS ±1/16 DECIMALS ±0.02

DRAWN: PEM
DATE: 1/18/2023
REVISION: 1

MAC MANUFACTURING INC.

MLP 8, 53', FLATBED
30" PIN, TANDEM, REAR SLIDER

PAGE 7 OF 9 UNIT NUMBER: 76906-76912

REV.	DATE	RELEASED TO PRODUCTION REASON FOR CHANGE	N/A	PEM	BY
1	1/18/2023				