



Quote 23-Oct-23  
 New Order 31-Oct-23  
**FINAL**

**45-3TWHP OT (2 Hopper)**

Ref# 7176

Revision

CUSTOMER APPLICATION

W/O# 7223  
 DATE: 10-Nov-23

**SINGLE TRAILER**

Designation

ORDER STATUS **Final to approve**

CUSTOMER NAME	OT Stock	PO	95568-95573	File	
ADDRESS		DRAWING#	AD-7223-01-V1		
CITY		CONTACT			
PROV/PC STATE/ZIP		DEALER	Ocean Trailer		
PHONE		SHIP VIA	FOB Delhi, ON		
FAX		SALESMAN	Will Tucker		

Is Vehicle Permitted? Yes or No

What is the combined Gross Vehicle Weight?

Qty = **6**

ESTIMATED COMPLETION DATE

(MAY CHANGE, MUST BE CONFIRMED AT TIME OF ORDER)

SERIAL NUMBER/S	Pg 3		PRICING
BASE MODEL	45-3TWHP OT (2 Hopper)	STYLE	Straight
PANEL CONFIGURATION	UBP, 4-14" ELD Panels, 12" V1 Top Panel w/ integrated latchplate roadside		
OVERALL LENGTH	45 ft	OVERALL WIDTH	102" Nominal
OVERALL HEIGHT	143-1/2" approx to top of Tarp Header	SIDE HEIGHT	82-3/8
KING PIN LOCATION	15" bolt-in		
UPPER COUPLER	Aluminum coupler assembly w/3" drop w/Steel wear plate set @ 48" High		
	PRIMARY	STEERS or LIFT	
NUMBER OF AXLES	3		
AXLES	Intraax Tapered Spindle		Note 10
AXLE TRACK	77"		
SUSPENSION	Intraax AAT 23K (Wide Hanger)		
LOCATION OF SPREADS	See axle layout		
HUB / DRUM ASSEMBLY	10 Bolt Duralite Hub w/Centrifuse brake Drums		
DISC WHEEL SIZE	8.25 x 22.5		
RIMS	ALUM-LVL Inner/Outer		
TIRES	Brand	Goodyear	
	Size	11R22.5 - 41.5 Dia	
	Tread	Marathon RSS	
	Ply	16	
	Quantity	12	
OVERALL HEIGHT (From Ground)	143-1/2" approx to top of Tarp Header		
AXLE LAYOUT	Front-Prim-60-Prim-60-Prim-24-Rear		Sub(1)

**45-3TWHP OT (2 Hopper)**

Ref# 7176

Pg.2

CUSTOMER NAME:

OT Stock

TITAN SALES #

PO 95568-95573 S/N

Pg 3

W/O #

7223

			Note#	PRICING
OIL SEALS		Federal Mogul		
LUBRICANTS		Std 80w-90 oil		
BRAKES	ABS	2S2M		
	Slack Adj.	Haldex Auto		
	Cam Enclos	All Axles & c/w dust shields		
LIFT KITS		None		
LIFT CONTROLS		None		
FRAME WIDTH		47-1/4"		
REAR BUMPER		None		
TIRE CARRIER		None		
LANDING GEAR		Jost AX151.G8.17 Aluminum Landing Gear-5 yr maintenance free		
INTERIOR SLOPE	Angle	30 degrees		
	Material	All TW Panel		
WALL DIVIDERS FOR HOPPER		Yes-1 positions-dividers TW Panel/Vented		
HOPPER MATERIAL		3/16"		
HOPPER DOOR SIZE		All are 22" X 22" with High Ground Clearance of 25" off the ground		
HOPPER DOOR OPERATOR		Dual Crank Direct drive (curbside/roadside)		
TARP HEADER		Front & Rear 9" rise		
TARP BASKET		None		
TARP		Manual side roll tarp Michels hardware. (Trison installed)		
FENDERS		None		
MUD FLAPS	Style	Titan Black Rubber		
	Location	4 at landing gear, 2 in front of primaries, 4 at rear		
PAINT (See Form)	Suspension	Titan Black		
	Hub / Drum	Same as suspension		
	Rims or Disc	Aluminum		
LIGHTS		front-2 clearance mks high-sides-3 mks (includes midturn)-rear 9- 4" round in light bar w/5 ID at top	1,2,3,6,8	
LIGHTS' OPTION #1		Add 7 Std marker lights per side for a total of 5 Top & 5 Bottom		
LIGHTS' OPTION #2		Add High Mount brake /Turn light-which take the place of outer two		
ACCESS	Catwalk	Narrow Front approx 30" & Rear approx 30" down from top of sidewall		
	J-Ladder-Front	Front wall-Roadside		
	J-Ladder-Rear	Rear wall-Roadside		
	Steps-Hopper Slope	Front to Rear-centerline of trailer		
	Steps-Front-Ins	Offset steps to roadside & on inside of roadside wall at front		
Steps-Rear-Ins	Offset steps to roadside & on inside of roadside wall at front			
			Sub(2)	

**45-3TWHP OT (2 Hopper)**

Ref#

7176

Pg.3

CUSTOMER NAME:

OT Stock

TITAN SALES #

PO 95568-95573 S/N

Pg 3

W/O# 7223

**ADDITIONAL SPECIFICATIONS**

Note#

PRICING

1) Add LED Back-up lights inboard of outside tail light cluster, one per side.

Middle 3 will be 4" round marker lights

2) Install Interior L.E.D. Lights, One per hopper compartment

Wire To Switch On Front Wall. Part number 44350C

3) Two exterior spot lights one at each hopper door.

Run the exterior lights from toggle switch in B-Train style Control Box.

4) Top crossmembers Arched -see approval drawing for locations

5 a) Add D-Ring Style Tow Hooks welded to D-Ring Tow hook extension bracket, bolted to bottom of subframe

b) Add hanger plate w/D-ring access holes on two center mudflaps at rear.

6) Rear Posts: Add 4 marker lights down rear face of each post

7) Add knock rail angle centered on side of each hopper. Curbside and Roadside

8) Add LED light in control box

9) Run air line to a 3/8" female quick connect coupler in control box from pressure protected air tank

10) Add TireMaax Pro tire inflation system.

PO#

VIN#

95568

2TVHP4535SD000165

95569

2TVHP4537SD000166

95570

2TVHP4539SD000167

95571

2TVHP4530SD000168

95572

2TVHP4532SD000169

95573

2TVHP4539SD000170

Any or all Taxes are not included

DATE: 10-Nov-23

SUBMITTED BY

Customer

Sk 11/3/2023

Date

Sub Total (3)

Sub Total (2)

Sub Total (1)

TOTAL PRICE PER UNIT

TOTAL COST

NET COST

CAD

# TITAN TRAILERS

## PAINT COLOUR & CODE FORM

CUSTOMER	<input type="text" value="OT Stock"/>	TITAN WORK ORDER #	<input type="text" value="7223"/>
DEALER	<input type="text" value="Ocean Trailer"/>	DEALER WORK ORDER #	
		PURCHASE ORDER #	<input type="text" value="95568-95573"/>
		UNITS IF APPLICABLE	<input type="text" value="6"/>
TRAILER TYPE	<input type="text" value="45-3TWHP OT (2 Hopper)"/>		

	PAINT COLOUR	PRODUCT NAME	PAINT CODE
Body	Natural	None	None
Frame	Natural	None	None
Running Gear	Black	Titan	None

If paint colours are Titan Red, Black or Silver please enter Titan under product name & no code is required.

**NOTE: ALUMINUM LANDING GEAR**

**\*IF Fully Painted, Thinwall trailers will be painted underneath same as frame & running gear\*  
& axles will not be painted prior to going to paint.**

All Thinwall Trailers that have Body left Natural will receive silver air tanks & silver upper couplers

\*Dealer or Customer must supply Titan Trailers with required paint codes, product name, colour and a

DRY sample of paint. All Two Toned Painted Trailers\* must have additional detailed written specifications entered above.

Paint Chip Required

### **Complete Form in Full**

Dealer Signature

Date

Paint Information needed by this date

**\*Failure to meet this date will delay trailer completion\***

**TITAN TRAILERS WILL NOT BE RESPONSIBLE FOR INCORRECT PAINT SPECIFICATIONS**

Office Use Only  
Trailer Sales Department

Date

Signature

# TITAN TRAILERS - TRAILER WIRING SCHEMATICS

1129 Hwy #3, R.R. #3  
 Delhi, Ontario  
 Canada, N4B 2W6

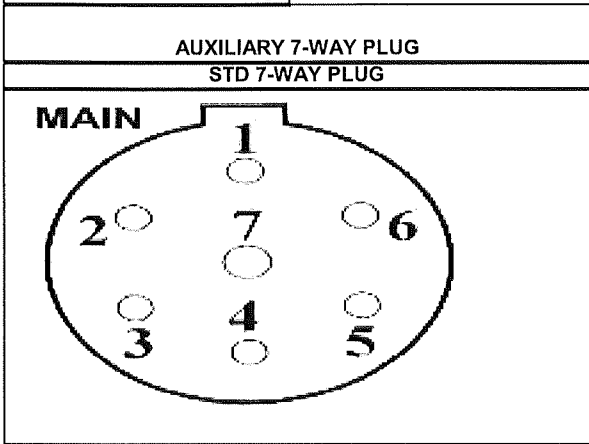
## Wiring Specs

Phone: 519-688-4826  
 Fax: 519-688-3083  
[www.titantrailers.com](http://www.titantrailers.com)

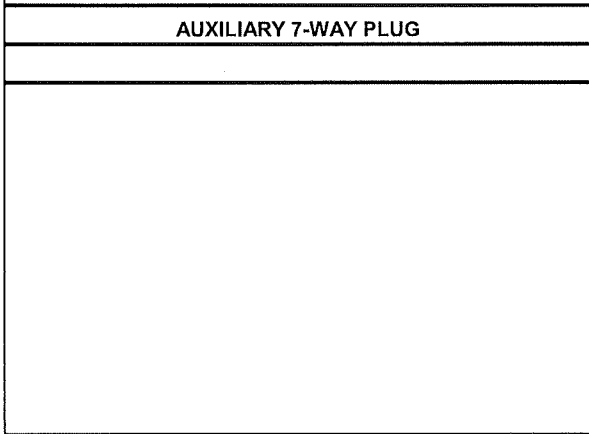
45-3TWHP OT (2 Hopper)

<b>Work Order</b>	7223
<b>P.O. #</b>	95568-95573
<b>Quantity</b>	6

<b>Customer</b>	OT Stock
<b>Dealer</b>	Ocean Trailer
<b>Dealer #</b>	



#	COLOUR	FUNCTION
1	WHITE	Ground
2	BLACK	Front/Rear CLS, I.D., Licence
3	YELLOW	Left Turn, Hazzard
4	RED	Stop Lamps
5	GREEN	Right Turn, Hazzard
6	BROWN	Side Markers, Tail Lights
7	BLUE	ABS/Interior/Exterior Hopper lights



#	COLOUR	FUNCTION
1	WHITE	
2	BLACK	
3	YELLOW	
4	RED	
5	GREEN	
6	BROWN	
7	BLUE	

STANDARD 7-WAY PLUG  
 I.S.O. 7-WAY PLUG

**Plug Information needed no later that the following date:**

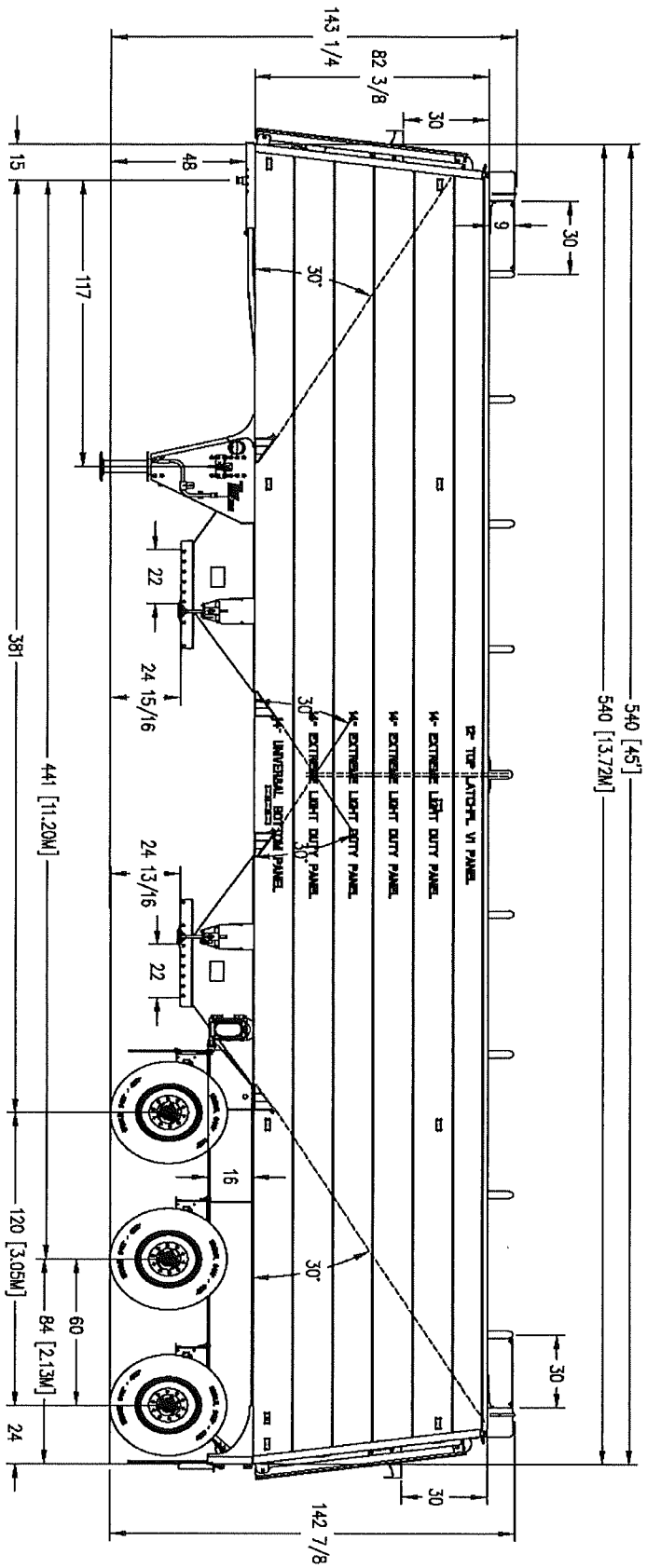
Failure to meet this date will delay trailer completion.

**Dealer**  
 Signature:  Date:

**Date form returned:**  **Trailer Sales Initials:**

# CONFIGURATION APPROVAL DRAWING

THIS DRAWING CONFIRMS BASIC TRAILER DIMENSIONS; OVERALL HEIGHT, OVERALL LENGTH, PIN SETTING AND AXLE POSITIONS ONLY.  
TRAILER OPTIONS MUST BE VERIFIED BY REFERRING TO THE SALES ORDER. ANY DISCREPANCIES MUST BE REPORTED TO TITAN TRAILERS INC.



INTRAXX AAT23K-14 TRIDEM

SUSPENSIONS: HENDRICKSON INTRAXX AAT-23K  
 TIRES: 11R22.5  
 LANDING GEAR: JOST AX151.08.17 ALUMINUM  
 VOLUME: 1881 cu ft (69.7 cu yd)



CUSTOMER: OT STOCK  
 TRAILER: 45' 3-AXLE (SP1F) HOPPER FULL AIRRIDE AGR1 APPLICATION

APPROVED BY: \_\_\_\_\_ SIGNATURE: \_\_\_\_\_ DATE: \_\_\_\_\_

NO. NO: 7223  
 DEALER NO: \_\_\_\_\_

DEALER IS RESPONSIBLE TO CHECK THAT TRAILER CONFIGURATION SHOWN ON THIS DRAWING CONFORMS TO ALL PROVINCIAL, STATE AND/OR FEDERAL REGULATIONS. THIS DRAWING IS THE SOLE PROPERTY OF TITAN TRAILERS. ANY REPRODUCTION IN WHOLE OR PART IS STRICTLY PROHIBITED WITHOUT OUR WRITTEN CONSENT.

DRAWN BY	SCALE	DATE	PROJ	VERSION NO
SCG	45	10-NOV-2023	AD-7223-01-V1	01

# Titan Trailer Inc.

## Trison Michels Side Roll Latch Plate Tarp Form

Work Order #	7223	<u>Customer Name:</u>	OT Stock
Trailer Type	45-3TWHP	<u>Dealer</u>	Ocean Trailer
Trailer Length	45 ft	Width	102" Nominal
<u>*Tarp colour*</u>	<b>Black</b>	<u>Tarp Style</u>	<u>Automatic</u> _____ <u>Manual</u> <u>X</u>

22oz Standard	<input checked="" type="checkbox"/>	Yes	No	Qty
Extra Tarp Width	<input type="checkbox"/>		<input checked="" type="checkbox"/>	<input type="checkbox"/>

<u>Latchplate location</u>	<u>Roadside</u>	<input checked="" type="checkbox"/>	or	<u>Curbside</u>	<input type="checkbox"/>
Tarp Stops Style Standard	<input type="checkbox"/>			Qty	<input type="checkbox"/>
Michel's Flip Release Tarp Stop	<input checked="" type="checkbox"/>			7	<input type="checkbox"/>

mounted 1" down from radius

**Tarp Headers**

Flat Front	<input type="checkbox"/>
Flat Rear	<input type="checkbox"/>
4" Rise Front	<input type="checkbox"/>
4" Rise Rear	<input type="checkbox"/>
9" Rise Front	<input checked="" type="checkbox"/>
9" Rise Rear	<input checked="" type="checkbox"/>

*Any questions, please call.  
Trison Latch Plate - Standard*

	Yes	No	Qty
Drain holes Required	<input type="checkbox"/>	<input checked="" type="checkbox"/>	<input type="checkbox"/>

*Note: Location of drain holes will be determined by the trailer design. Std grommet size is #4 (.625")*

	Front	Rear
Tarp Crank location	<input type="checkbox"/>	<input checked="" type="checkbox"/>

*Cranking tarp from front is not recommended for trailers that have 24" standard catwalk*

**Tarp Crank length will be determined by location**

**ADDITIONAL NOTES.**

**Trison to use Michels Hardware. Holder for tarp crank handle is to be either welded or bolted fully through so it won't pull out of the trailer. Crank retainer(s) to be bolt and nut fastened with washer plates on either side of thingwall. Add internal flap.**

**Please complete sign, date and fax back to 519-688-3083**

Customer Signature	Date
--------------------	------

**TITAN TRAILERS INC.**

**EXTERNAL REVISION FORM**

WO# 7223  
 Customer OT Stock  
 Dealer Ocean Trailer  
 Trailer Type 45-3TWHP

Pages 3  
 Rev# 1LB  
 Unit# 1-6 of 6  
 File# 95568-95573

<b>REVISIONS:</b>	<b>COST</b>
-------------------	-------------

	CAD
--	-----

1) Define how Back-up lights are wired	
Backup lights wired to Blue on I.S.O. plug (note 1, pg 3 of Sales Order)	
Revised plug form below	

2) Updated approval drawing attached - showing suspension ride heights	
------------------------------------------------------------------------	--

3) Hopper door cranks to be bolt-on to allow for future option of changing to Michel's electric doors	
-------------------------------------------------------------------------------------------------------	--

OTR #	VIN #	
95568	2TVHP4535SD000165	
95569	2TVHP4537SD000166	
95570	2TVHP4539SD000167	
95571	2TVHP4530SD000168	
95572	2TVHP4532SD000169	
95573	2TVHP4539SD000170	

Initiated By:		Pricing	Date	Initials
Engineering		Pricing	2/21/24	SK
		Engineering	2/21/24	SCG
		Production	2/22/24	DR
		Purchasing	2/22/24	MX
		Distributed	2/23/24	CC

Changes reflecting this revision may affect completion date.

Revision will not be accepted if not signed and dated.

Approved By:	Mike Kloeffler	2/23/24
Customer/Dealer:	Vicki Schultz	2/23/24



# TITAN TRAILERS - TRAILER WIRING SCHEMATICS

1129 Hwy #3, R.R. #3  
Delhi, Ontario  
Canada, N4B 2W6

## Wiring Specs

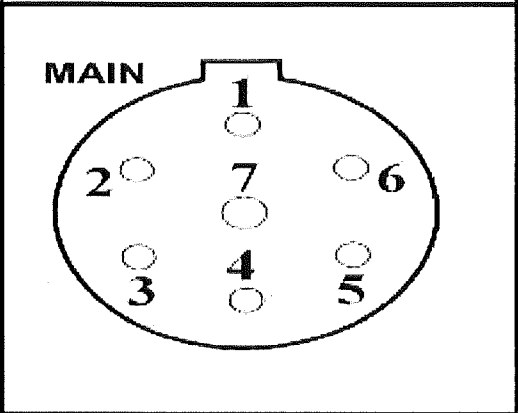
Phone: 519-688-4826  
Fax: 519-688-3083  
[www.titantrailers.com](http://www.titantrailers.com)

45-3TWHP

<b>Work Order</b>	7223
<b>P.O. #</b>	95568-95573
<b>Quantity</b>	1-6 of 6

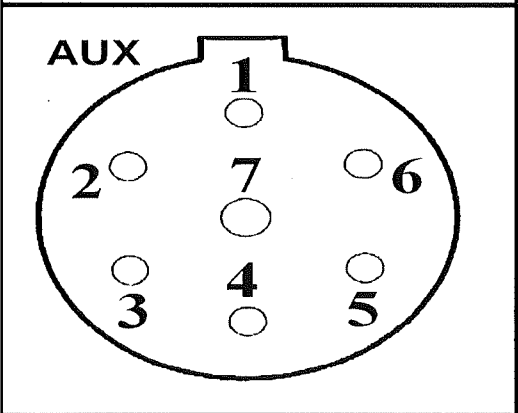
<b>Customer</b>	OT Stock
<b>Dealer</b>	Ocean Trailer
<b>Dealer #</b>	

Main  
STD 7-WAY PLUG



#	COLOUR	FUNCTION
1	WHITE	Ground
2	BLACK	Front/Rear CLS, I.D., Licence
3	YELLOW	Left Turn, Hazzard
4	RED	Stop Lamps
5	GREEN	Right Turn, Hazzard
6	BROWN	Side Markers, Taillights
7	BLUE	ABS/Interior/Exterior Hopper lights

Aux  
I.S.O 7-Way Plug



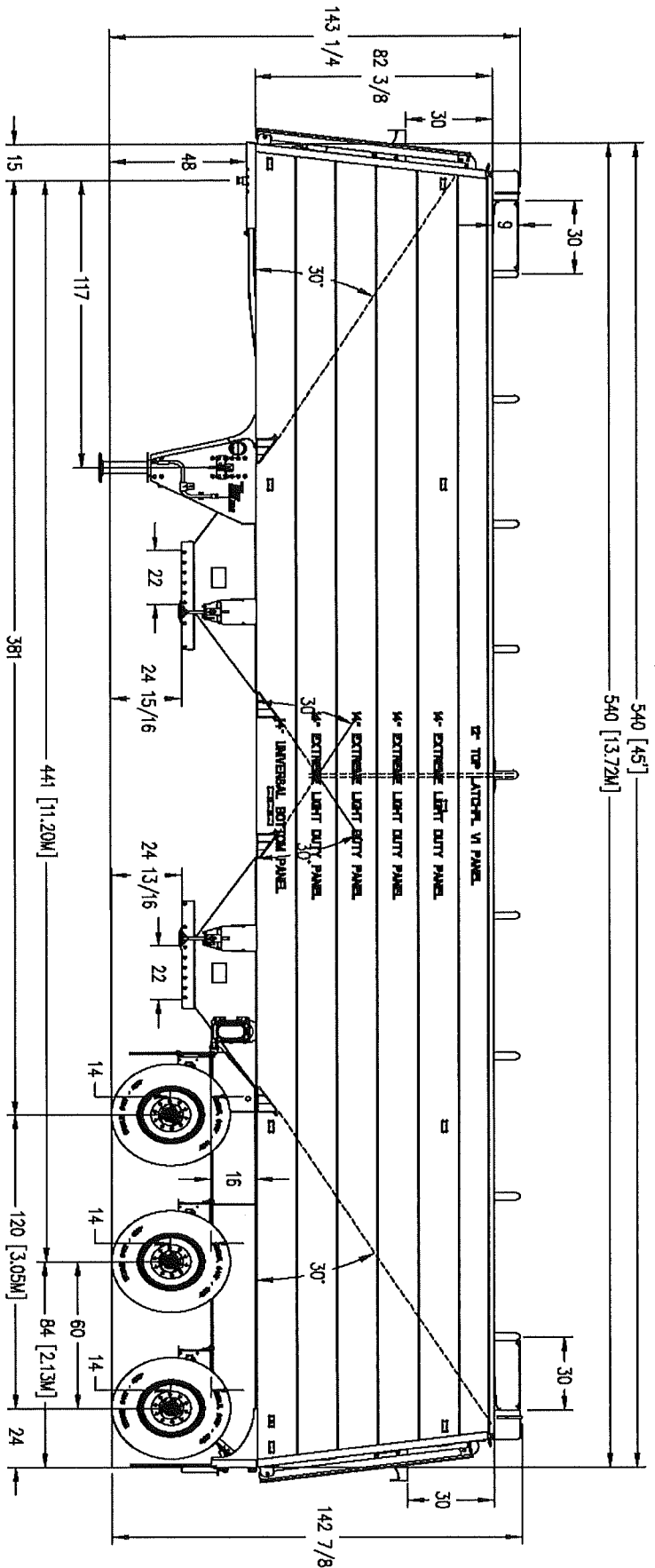
#	COLOUR	FUNCTION
1	WHITE	GROUND
2	BLACK	
3	YELLOW	
4	RED	
5	GREEN	
6	BROWN	
7	BLUE	Backup Lights

	<b>STANDARD 7-WAY PLUG</b>
<input checked="" type="checkbox"/>	<b>I.S.O. 7-WAY PLUG</b>

**Plug Information needed no later that the following date:**

# CONFIGURATION APPROVAL DRAWING

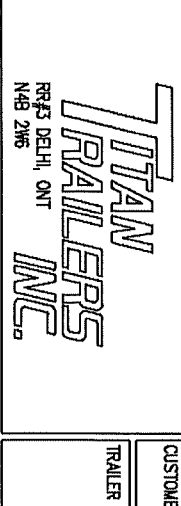
THIS DRAWING CONFIRMS BASIC TRAILER DIMENSIONS; OVERALL HEIGHT, OVERALL LENGTH, OVERALL LENGTH, PIN SETTING AND AXLE POSITIONS ONLY. TRAILER OPTIONS MUST BE VERIFIED BY REFERRING TO THE SALES ORDER. ANY DISCREPANCIES MUST BE REPORTED TO TITAN TRAILERS INC.



INTRAAAX AAT23K-14 TRIDEM

SUSPENSIONS: HENDRICKSON INTRAXX AAT-23K  
 TIRES: 11R22.5  
 LANDING GEAR: JOST AX151.08.17 ALUMINUM  
 VOLUME: 1881 cu ft (69.7 cu yd)

CUSTOMER: OT STOCK



TRAILER: 45' 3-AXLE (SPFT) HOPPER  
 FULL AIRRIDE  
 AGRI APPLICATION

APPROVED BY: \_\_\_\_\_ DATE: \_\_\_\_\_  
 SIGNATURE: \_\_\_\_\_  
 NO. 7223  
 DEALER NO. \_\_\_\_\_

DEALER IS RESPONSIBLE TO CHECK THAT TRAILER CONFIGURATION SHOWN ON THIS DRAWING CONFORMS TO ALL PROVINCIAL, STATE AND/OR FEDERAL REGULATIONS. THIS DRAWING IS THE SOLE PROPERTY OF TITAN TRAILERS. ANY REPRODUCTION IN WHOLE OR PART IS STRICTLY PROHIBITED WITHOUT OUR WRITTEN CONSENT.

DRAWING NO. SCG	SCALE 45	DATE 10-Nov-2023	FORM AD-7223-01-V1	VERSION NO. 01
-----------------	----------	------------------	--------------------	----------------