



Quote 23-Oct-23  
 New Order 31-Oct-23  
**FINAL**

**Ref# 7019**

**53-3TWWF OT**

Revision

**CUSTOMER APPLICATION** Woodchips

W/O# **7222**  
 DATE: 07-Nov-23

**SINGLE SEMI-TRAILER**

Designation

**ORDER STATUS** Final to Approve

|                   |                                       |          |                       |
|-------------------|---------------------------------------|----------|-----------------------|
| CUSTOMER NAME     | OT Stock                              | P.O.#    | 95574-95581, 95582-83 |
| ADDRESS           | 9076 River Road                       | DRAWING# |                       |
| CITY              | Delta                                 | CONTACT  | Will Tucker           |
| PROV/PC STATE/ZIP | B.C. V4G 1B5                          | DEALER   | Ocean Trailer         |
| PHONE             | 604-940-0210                          | SHIP VIA | FOB Delhi, ON         |
| FAX               | 604-940-0610 Toll Free-1-800-891-8858 | SALESMAN |                       |
| DEPOSIT REQUIRED  | Attention Lorraine Genberg            |          |                       |

**Qty = 10**

Note 7 & 8

(MAY CHANGE, MUST BE CONFIRMED AT TIME OF ORDER)

|                            |                                            |                                        |                |
|----------------------------|--------------------------------------------|----------------------------------------|----------------|
| <b>SERIAL NUMBER'S</b>     | Pg 3                                       |                                        | <b>PRICING</b> |
| <b>BASE MODEL</b>          | 53-3TWWF OT                                | <b>STYLE</b>                           | Wedge          |
| <b>Wall CONFIGURATION</b>  | Front                                      | to suit wood chip application          |                |
|                            | Sides                                      | to suit wood chip application (Note 5) |                |
|                            | Rear Door                                  | Van, Solid, Std Galvanized lock rods   | Note 7,8       |
| <b>OVERALL LENGTH</b>      | 53 ft                                      | <b>OVERALL WIDTH</b>                   | 102" Nominal   |
| <b>OVERALL HEIGHT</b>      | 13' 6" approx.                             |                                        |                |
| <b>KING PIN LOCATION</b>   | 36" BOLT IN                                |                                        |                |
| <b>UPPER COUPLER</b>       | 5/16" THK Steel- Set @ 48" High            |                                        |                |
|                            | PRIMARY                                    | LIFT or STEERS                         |                |
| <b>NUMBER OF AXLES</b>     | 3                                          |                                        |                |
| <b>AXLES</b>               | Intraax-Tapered Spindle                    |                                        |                |
| <b>AXLE TRACK</b>          | 77"                                        |                                        |                |
| <b>SUSPENSION</b>          | Intraax AAT 30K                            |                                        |                |
| <b>LOCATION OF SPREADS</b> | see axle layout                            |                                        |                |
| <b>HUB / DRUM ASSEMBLY</b> | 10 Stud, Cast Hub / Cast Drum w/long studs |                                        |                |
| <b>DISC WHEEL SIZE</b>     | 8.25 x 22.5                                |                                        |                |
| <b>RIMS</b>                | ALUM-LVL1 Mill Inner/Outer                 |                                        |                |
| <b>TIRES</b>               | Brand                                      | Goodyear                               |                |
|                            | Size                                       | 11R22.5 - 41.9 dia                     |                |
|                            | Tread                                      | Endurance RSA                          |                |
|                            | Ply                                        | 14                                     |                |
|                            | Quantity                                   | 12                                     |                |
| <b>AXLE LAYOUT</b>         | FRONT-Prim-60-Prim-60-Prim-73-REAR         |                                        | Sub(1)         |

CUSTOMER NAME: **OT Stock**

PO 95574-95581, 95582-83

S/N

Pg 3

W/O #

**7222**

|                              |                  |                                                                                                               | Note#  | PRICING |
|------------------------------|------------------|---------------------------------------------------------------------------------------------------------------|--------|---------|
| OIL SEALS                    |                  | To suit axles                                                                                                 |        |         |
| LUBRICANTS                   |                  | Oil-Std 80W-90                                                                                                |        |         |
| BRAKES                       | ABS              | 2S2M Meritor Wabco                                                                                            |        |         |
|                              | Slack Adj.       | Haldex Auto                                                                                                   |        |         |
|                              | Cam Enclos       | All Axles - c/w Dust Shields                                                                                  |        |         |
| LIFT KITS                    |                  | None                                                                                                          |        |         |
| LIFT CONTROLS                |                  | None                                                                                                          |        |         |
| FRAME WIDTH                  |                  | 48"                                                                                                           |        |         |
| REAR BUMPER                  |                  | <i>Steel, Flush, Underride</i>                                                                                | 6      |         |
| ADDITIONAL BUMPER OPTION #1  |                  | None                                                                                                          |        |         |
| ADDITIONAL BUMPER OPTION #2  |                  | None                                                                                                          |        |         |
| ADDITIONAL BUMPER OPTION #3  |                  | None                                                                                                          |        |         |
| TIRE CARRIER                 |                  | None                                                                                                          |        |         |
| LANDING GEAR                 |                  | Holland Mark 5-LGS-2A-113                                                                                     |        |         |
| TOP RAIL                     |                  | Titan Tapered, V1                                                                                             |        |         |
| TOP CROSS TUBE               |                  | 2 Pcs - 4" OD                                                                                                 |        |         |
| FLOOR CROSSMEMBERS           |                  | 16" Centers                                                                                                   |        |         |
| KEITH WALKING FLOOR KIT      |                  | <i>Running Floor II- 3 1/2" Dia Cylinders-10" stroke</i>                                                      | 9      |         |
| SLAT MODEL & WIDTH           |                  | <i>SEE NOTE 10</i>                                                                                            | 10     |         |
| SLAT WEAR STRIPS             |                  | None                                                                                                          |        |         |
| CONTINUOUS BEARING           |                  | Continuous Splash/Hold Down Bearings                                                                          |        |         |
| SIDE WALL WEAR PLATES        |                  | None                                                                                                          |        |         |
| FRONT ACCESS DOOR            |                  | None                                                                                                          |        |         |
| TARP STYLE (Tarp form)       |                  | <i>Trison installed Black Vinyl Sideroll - rolls open to curbside - West Coast Bungee style</i>               | 4      |         |
| TARP HEADER                  |                  | Flat-Front & Rear                                                                                             |        |         |
| TARP BASKET                  |                  | None                                                                                                          |        |         |
| TARP HOOKS                   |                  | None                                                                                                          |        |         |
| AXLE FENDER                  |                  | <i>Titan 1/4" Rolled Aluminum</i>                                                                             | 1      |         |
| HYD FITTING                  | Pressure         | 1" Quick Coupler-Male                                                                                         |        |         |
|                              | Return           | 1" Quick Coupler-Female                                                                                       |        |         |
| MUD FLAPS                    | Style            | Titan Black Rubber                                                                                            |        |         |
|                              | Location         | Mount Mudflaps at rear fender using an angle bracket                                                          |        |         |
| MUD FLAPS - Landing Gear     |                  | Yes- 4 Pcs                                                                                                    |        |         |
| PAINT<br>(See Form)          | Body- Color      | Natural Aluminum                                                                                              |        |         |
|                              | Run - Gear       | Titan Black                                                                                                   |        |         |
|                              | Hub / Drum       | Same as Running Gear                                                                                          |        |         |
|                              | Rims or Disc     | Aluminum                                                                                                      |        |         |
| LIGHT PACKAGE (Plug Form)    |                  | 3 markers per side (includes corner mitre & midturn). At Rear:3 per side 4" dia in lightbar, & 5 rect. at top |        |         |
| ADDITIONAL LIGHTS' OPTION #1 |                  | None                                                                                                          |        |         |
| ADDITIONAL LIGHTS' OPTION #2 |                  | None                                                                                                          |        |         |
| ACCESS                       | Catwalk          | <i>Universal Roadside Entry 24" Catwalk</i>                                                                   | 3      |         |
|                              | J-Ladder - Front | Roadside To Catwalk                                                                                           |        |         |
|                              | J-Ladder - Rear  | <b>Roadside centered between cam locks</b>                                                                    |        |         |
|                              | Steps-Front-Out  | None                                                                                                          |        |         |
|                              | Steps-Front-Ins  | None                                                                                                          |        |         |
|                              | Steps-Rear       | Stirrup step roadside, rear, under lightbar, 2" in towards center from end of light bar.                      |        |         |
|                              |                  |                                                                                                               | Sub(2) |         |

CUSTOMER NAME: **OT Stock**

PO 95574-95581, 95582-83 S/N

Pg 3

W/O# **7222**

**ADDITIONAL SPECIFICATIONS**

**PRICING**

- 1) Add fender support in floor for future *Intraax AAT 25K* suspension located 24" in from rear of trailer. No crossmembers for the 4th axle installed.
- 2) Aluminum tube document holder.
- 3) Ship catwalk inside trailer properly secured (for shipping purposes only), use Drilled holes in frontwall for future catwalk installation.
- 4 a) Trison to install (1) Chain & binder front & rear with (5) cables & West Coast Bungees evenly spaced between. Titan to install tarp hooks, as well as UHMW pads at the joint of each cable and bungee before going to Trison. Trison to add Rubber Wind deflector to front.
- b) Titan to provide storage for crank handle on the catwalk.
- c) Add 2 to 1 Pull rope to tarp
- 5) Add recessed 4" air gauge installed on driverside sidewall. Position air gauge 12" forward of trailer mid length and as high as possible keeping clear of tarping system.
- 6) Prep trailers for future addition of stainless clad rubber bumper blocks
- 7) Units 1 to 8 will be completely built & invoiced upon completion
- 8) Units 9 to 10 will have the bodies built complete with rear door frames (without the Van Doors and floors installed)  
These to be completed within 60 days after the first 8 units are scheduled to be complete.  
Units 9 & 10 specs will need to be firmed up at least 30 days prior to this 60 day completion.
- 9) Titan will maintain inventory on two 2299 WF kits for this work order until slats have been installed on all units of this work order.
- 10 a) Units 1-6 & 9-10 with Slat 2190 (1975) 3 1/2" - 1212 Seals T-Blocks Rear
- b) Units 7-8 with Slat 2299 (1/2" impact) floor (1914 CWS) 3 1/2", 1212 Seals, T-Blocks Rear
- c) Units 9-10 floor and doors to be confirmed once activated

| UNIT # | PO #  | VIN#s             | UNIT# | PO#   | VIN#s             |
|--------|-------|-------------------|-------|-------|-------------------|
| 1      | 95574 | 2TVWF5337SD000171 | 6     | 95579 | 2TVWF5336SD000176 |
| 2      | 95575 | 2TVWF5339SD000172 | 7     | 95582 | 2TVWF5338SD000177 |
| 3      | 95576 | 2TVWF5330SD000173 | 8     | 95583 | 2TVWF533XSD000178 |
| 4      | 95577 | 2TVWF5332SD000174 | 9     | 95580 | 2TVWF5331SD000179 |
| 5      | 95578 | 2TVWF5334SD000175 | 10    | 95581 | 2TVWF5338SD000180 |

DATE: 07-Nov-23  
 SUBMITTED BY  
 Customer  
 Sk 11/6/2023 Date

|                      |              |
|----------------------|--------------|
| Sub Total (3)        |              |
| Sub Total (2)        |              |
| Sub Total (1)        |              |
| TOTAL PRICE PER UNIT |              |
| TOTAL COST           |              |
| NET COST             | <b>CAD\$</b> |

Trailers are sold FOB Delhi, Canada  
 Any applicable Federal or Provincial Taxes are not included.

# TITAN TRAILERS

## PAINT COLOUR & CODE FORM

|                     |                      |                            |                              |
|---------------------|----------------------|----------------------------|------------------------------|
| <b>CUSTOMER</b>     | <b>OT Stock</b>      | <b>TITAN WORK ORDER #</b>  | <b>7222</b>                  |
| <b>DEALER</b>       | <b>Ocean Trailer</b> | <b>DEALER WORK ORDER #</b> |                              |
|                     |                      | <b>PURCHASE ORDER #</b>    | <b>95574-95581, 95582-83</b> |
|                     |                      | <b>UNITS IF APPLICABLE</b> | <b>10</b>                    |
| <b>TRAILER TYPE</b> | <b>53-3TWWF OT</b>   |                            |                              |

|                     | <b>PAINT COLOUR</b>     | <b>PRODUCT NAME</b> | <b>PAINT CODE</b> |
|---------------------|-------------------------|---------------------|-------------------|
| <b>Body</b>         | <b>Natural Aluminum</b> | <b>None</b>         | <b>None</b>       |
| <b>Frame</b>        | <b>Natural</b>          | <b>None</b>         | <b>None</b>       |
| <b>Running Gear</b> | <b>Titan Black</b>      | <b>Titan</b>        | <b>None</b>       |

If paint colours are Titan Red, Black or Silver please enter Titan under product name & no code is required.

**\*IF Fully Painted, Thinwall trailers will be painted underneath same as frame & running gear\***

All Thinwall Trailers that have Body left Natural will receive silver air tanks & silver upper couplers

\*Dealer or Customer must supply Titan Trailers with required paint codes, product name, colour and a

DRY sample of paint. All Two Toned Painted Trailers\* must have additional detailed written specifications entered above.

**Paint Chip Required**

**No**

### **Complete Form in Full**

Dealer Signature

Date

Paint Information needed by this date

**\*Failure to meet this date will delay trailer completion\***

**TITAN TRAILERS WILL NOT BE RESPONSIBLE FOR INCORRECT PAINT SPECIFICATIONS**

Office Use Only

Trailer Sales Department

Date

Signature

# TITAN TRAILERS - TRAILER WIRING SCHEMATICS

1129 Hwy #3, R.R. #3  
Delhi, Ontario  
Canada, N4B 2W6

## Wiring Specs

Phone: 519-688-4826  
Fax: 519-688-3083  
[www.titantrailers.com](http://www.titantrailers.com)

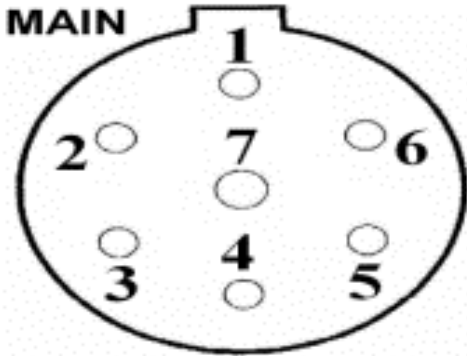
**53-3TWWF OT**

|                   |                              |
|-------------------|------------------------------|
| <b>Work Order</b> | <b>7222</b>                  |
| <b>P.O. #</b>     | <b>95574-95581, 95582-83</b> |
| <b>Quantity</b>   | <b>10</b>                    |

|                 |                      |
|-----------------|----------------------|
| <b>Customer</b> | <b>OT Stock</b>      |
| <b>Dealer</b>   | <b>Ocean Trailer</b> |
| <b>Dealer #</b> |                      |

Main

STD 7-WAY PLUG



| # | COLOUR | FUNCTION            |
|---|--------|---------------------|
| 1 | WHITE  | GROUND              |
| 2 | BLACK  | MARKER & TAILLIGHTS |
| 3 | YELLOW | LEFT TURN           |
| 4 | RED    | STOP                |
| 5 | GREEN  | RIGHT TURN          |
| 6 | BROWN  | MARKER & TAILLIGHTS |
| 7 | BLUE   | ABS                 |

| # | COLOUR | FUNCTION |
|---|--------|----------|
| 1 | WHITE  |          |
| 2 | BLACK  |          |
| 3 | YELLOW |          |
| 4 | RED    |          |
| 5 | GREEN  |          |
| 6 | BROWN  |          |
| 7 | BLUE   |          |

None

|  |                            |
|--|----------------------------|
|  | <b>STANDARD 7-WAY PLUG</b> |
|  | <b>I.S.O. 7-WAY PLUG</b>   |

**Plug Information needed no later that the following date:**

**Failure to meet this date will delay trailer completion.**

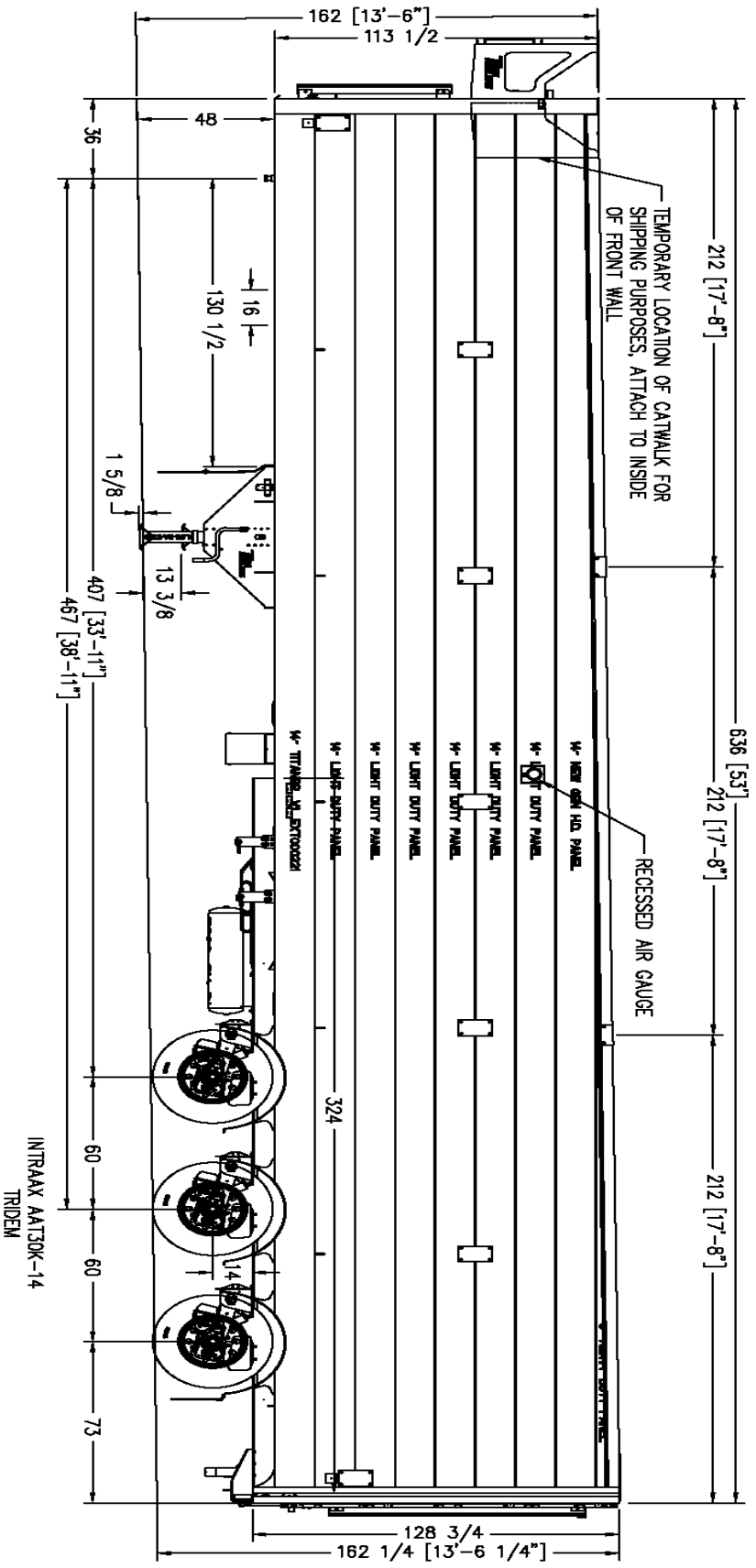
**Dealer**

**Signature:**

**Date:**

# CONFIGURATION APPROVAL DRAWING

THIS DRAWING CONFIRMS BASIC TRAILER DIMENSIONS; OVERALL HEIGHT, OVERALL LENGTH, PIN SETTING AND AXLE POSITIONS ONLY.  
 TRAILER OPTIONS MUST BE VERIFIED BY REFERRING TO THE SALES ORDER. ANY DISCREPANCIES MUST BE REPORTED TO TITAN TRAILERS INC.



SUSPENSIONS: HENDRICKSON INTRAAX AAT30K  
 TIRES: 11R22.5  
 LANDING GEAR: HOLLAND MARKV LGS-2A-113  
 VOLUME: 3968 CU FT (147 CU YD)

CUSTOMER: OT Stock



TRAILER: 53' 3-AXLE AWF WEDGED  
 WOODCHIP APPLICATION

NO. NO. 7222

DEALER NO.

APPROVED BY: [Signature]

SIGNATURE: \_\_\_\_\_

DATE: \_\_\_\_\_

DEALER IS RESPONSIBLE TO CHECK THAT TRAILER CONFIGURATION SHOWN ON THIS DRAWING CONFORMS TO ALL PROVINCIAL, STATE AND/OR FEDERAL REGULATIONS. THIS DRAWING IS THE SOLE PROPERTY OF TITAN TRAILERS. ANY REPRODUCTION IN WHOLE OR PART IS STRICTLY PROHIBITED WITHOUT OUR WRITTEN CONSENT.

DRAWN BY: SCG SCALE: 50 DATE: 3-Nov-2023 DWG: AD-7222-01-V1 REVISION: 01

# Titan Trailer Inc.

## Trison Side Roll Tarp Form (West Coast Bungie)

|                      |       |                       |               |
|----------------------|-------|-----------------------|---------------|
| Work Order #         | 7222  | <u>Customer Name:</u> | OT Stock      |
| Trailer Length       | 53 ft | <u>Dealer</u>         | Ocean Trailer |
| <u>*Tarp colour*</u> | Black | <u>Width</u>          | 102" Nominal  |

Vinyl  Mesh

|                                       |                                     |                                     |    |                 |  |
|---------------------------------------|-------------------------------------|-------------------------------------|----|-----------------|--|
| <u>Cables &amp; Bungie Location</u>   | <u>Roadside</u>                     | <input checked="" type="checkbox"/> | or | <u>Curbside</u> |  |
| Tarp Stops Style-Standard             | Yes                                 | Qty                                 |    |                 |  |
| Easy off Flexible 6" Offset tarp stop | <input checked="" type="checkbox"/> | <input type="text" value="8"/>      |    |                 |  |
| Optional                              |                                     |                                     |    |                 |  |
| Easy off Flexible 3" Offset tarp stop | <input type="text"/>                | <input type="text"/>                |    |                 |  |
| Tarp Headers                          |                                     |                                     |    |                 |  |
| Flat Front                            | <input checked="" type="checkbox"/> |                                     |    |                 |  |
| Flat Rear                             | <input checked="" type="checkbox"/> |                                     |    |                 |  |
| 4" Rise Front                         | <input type="text"/>                |                                     |    |                 |  |
| 4" Rise Rear                          | <input type="text"/>                |                                     |    |                 |  |
| 9" Rise Front                         | <input type="text"/>                |                                     |    |                 |  |
| 9" Rise Rear                          | <input type="text"/>                |                                     |    |                 |  |

\* Add special 2 to 1 pull rope to tarp

|                                        |                      |                                     |  |                                |
|----------------------------------------|----------------------|-------------------------------------|--|--------------------------------|
|                                        | Yes                  | No                                  |  | Qty                            |
| <i>Ratchets &amp; Cables 5pcs Std.</i> | <input type="text"/> | <input checked="" type="checkbox"/> |  | <input type="text" value="5"/> |

*If no see note below*

Trison to install (1) Chain & binder front & rear with (5) cables & West Coast Bungees evenly spaced between. Titan to install tarp hooks, as well as UHMW pads at the joint of each cable and bungee before going to Trison. **Trison to add Rubber Wind deflector to front. Titan to provide storage for crank handle.**

|                      |                                     |                      |  |                                 |
|----------------------|-------------------------------------|----------------------|--|---------------------------------|
|                      | Yes                                 | No                   |  | Qty                             |
| Drain holes Required | <input checked="" type="checkbox"/> | <input type="text"/> |  | <input type="text" value="12"/> |

**Note:** Location of drain holes will be determined by the trailer design. Std size is 2" x 2" mesh

|                     |                                     |        |                      |         |                                     |      |                      |
|---------------------|-------------------------------------|--------|----------------------|---------|-------------------------------------|------|----------------------|
| Tarp Crank location | Front                               | Ground |                      | Catwalk |                                     | Rear |                      |
| at                  | <input checked="" type="checkbox"/> | from   | <input type="text"/> | or      | <input checked="" type="checkbox"/> | from | <input type="text"/> |

Tarp Crank length will be determined by location

ADDITIONAL NOTES.

**Trison to Add Rubber wind Deflector to Front**

Please complete sign, date and fax back to 519-688-3083

|                    |  |      |  |
|--------------------|--|------|--|
| Customer Signature |  | Date |  |
|--------------------|--|------|--|